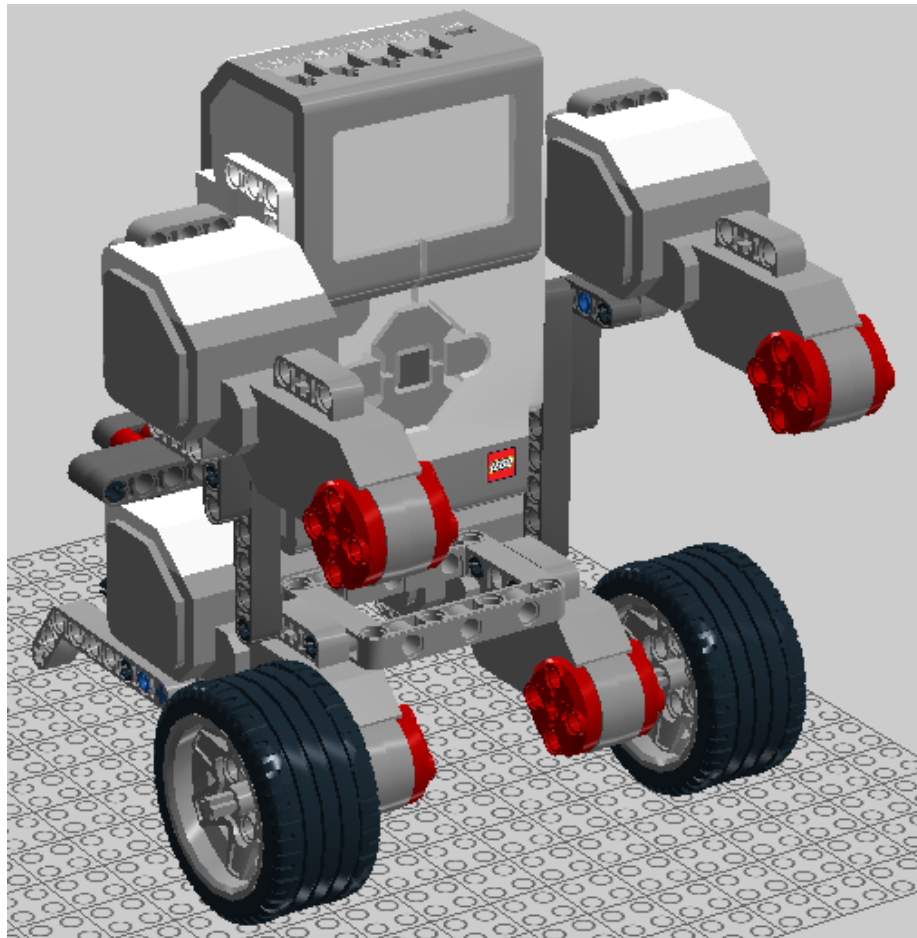


Tom mabot



Tom mabot is a versatile EV3 robot that has a wide range of applications. It can be used as a start point for RoboCup Junior and World Robot Olympiad competitions. It can also be used in in the classroom for many of the challenges included in the “A Differentiated Curriculum in Robotics”.

<http://www.teaching.com.au/catalogue?catalogue=MTA&category=MTA-ROBOCUP-ROBOTICS-COMPETITIONS>



Platinum RCJA National Sponsors

Features

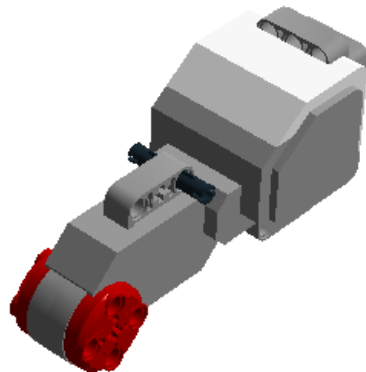
- Multiple points to add on sensors for all robot challenges.
- Two motor mounts that can be used to install a :
 - Right and left foot “kicker” for a GEN II soccer robot,
 - Lifting mechanism for RoboCup Junior Rescue
 - Independent “arms for RoboCup Junior Dance robots.
- Simple removal of the top 11M beam on the rear of the robot allows the EV3 to tilt forward giving easy access to cable points under the EV3.(see image)



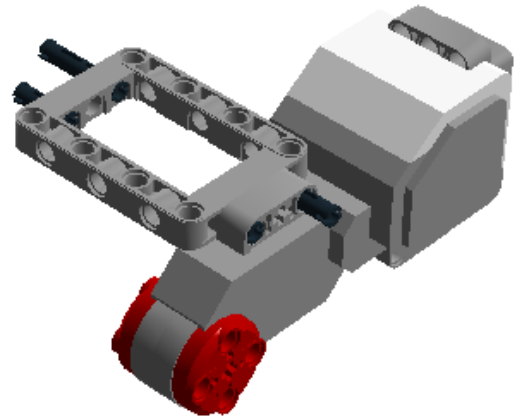
- Multiple stable attachment points for extra attachments such as “bumper bars”, “head”, power joint or stabilizers.
- Easy one step battery removal.
- Fits well within building size limits of RoboCup Junior and WRO competitions.

**LEGO, Mindstorms and EV3 are Registered Trademarks of the LEGO Corporation

Step 1 of 23



Step 2 of 23



Step 3 of 23

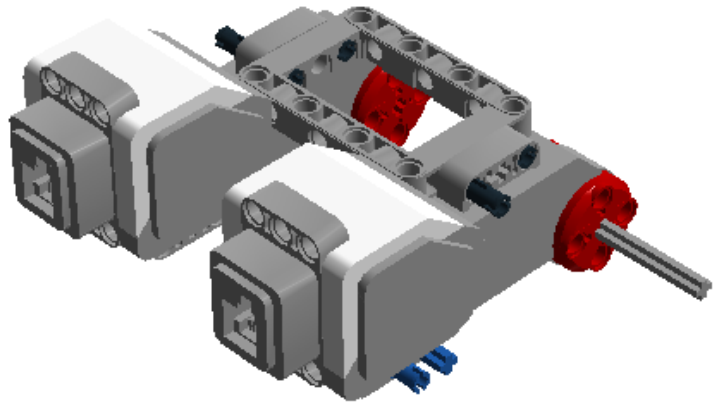
1 x



2 x



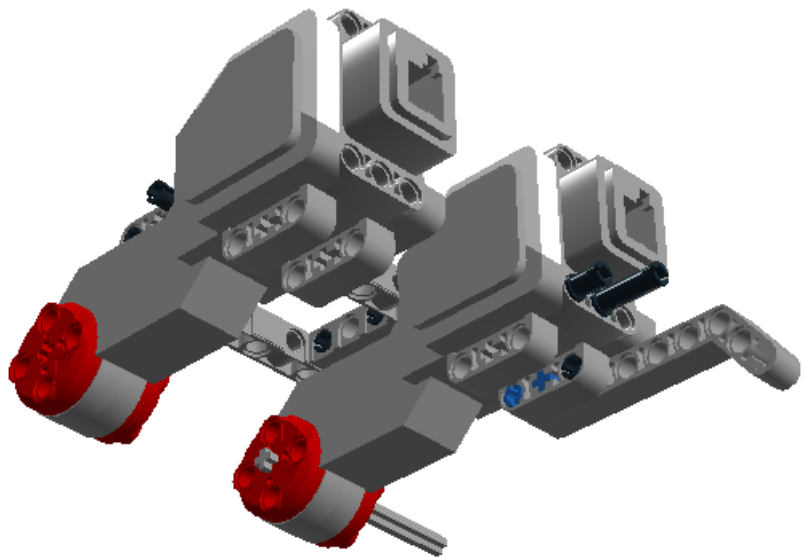
1 x



2 x



1 x



Step 5 of 23

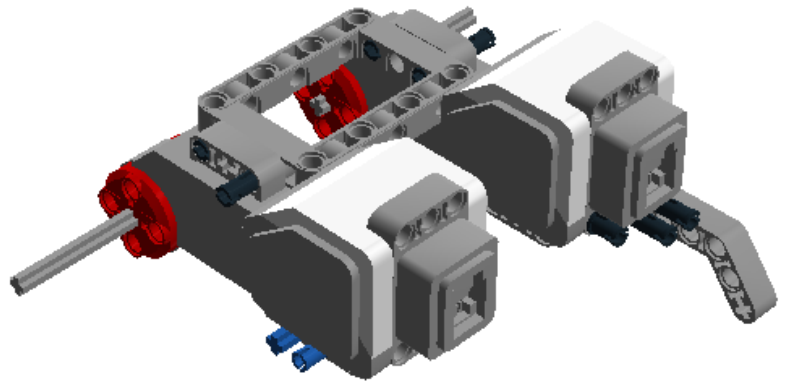
2 x



1 x



1 x



Step 6 of 23

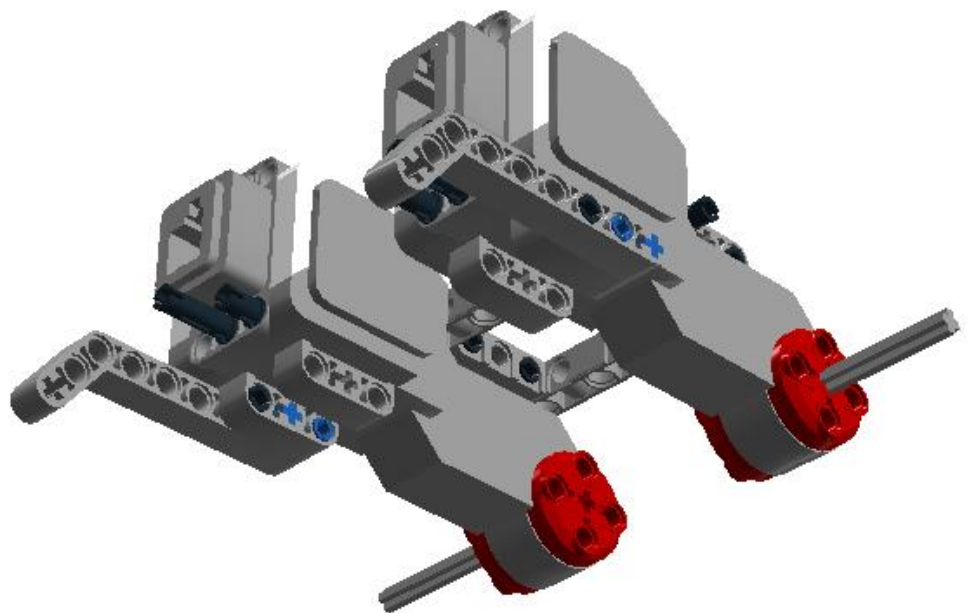
1 x



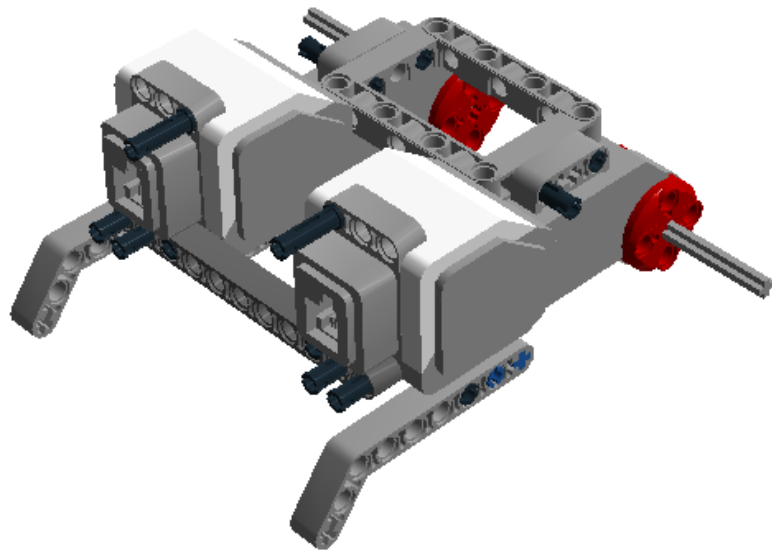
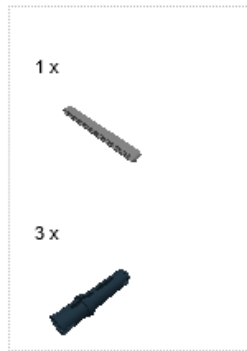
2 x



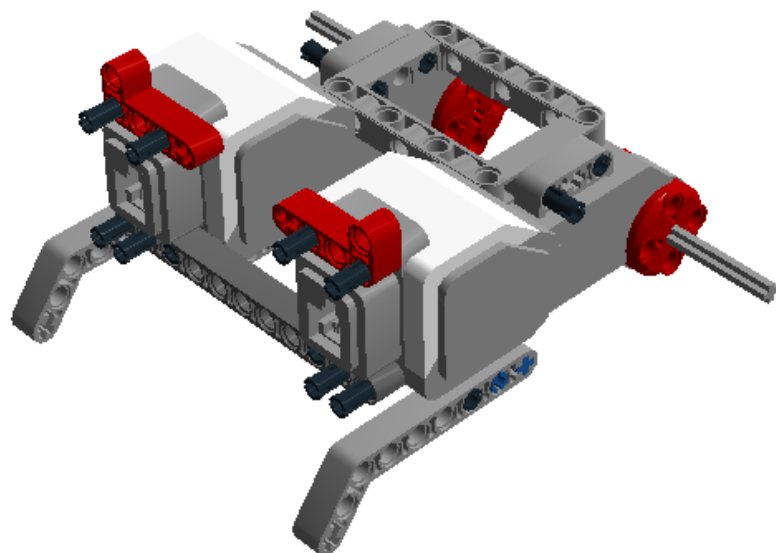
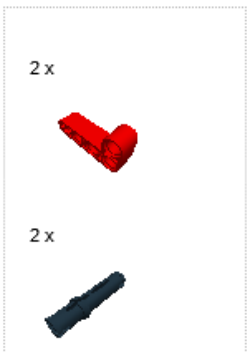
1 x



Step 7 of 23



Step 8 of 23



Step 9 of 23

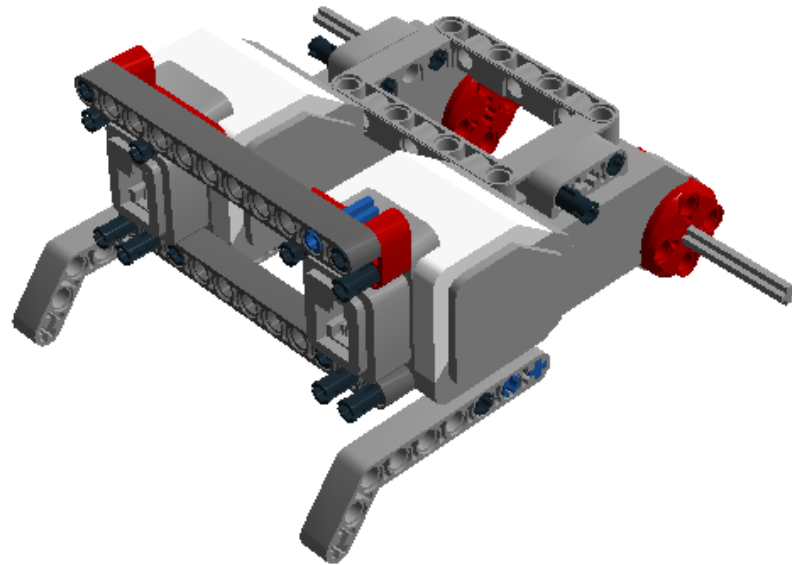
1 x



2 x



1 x



Step 10 of 23

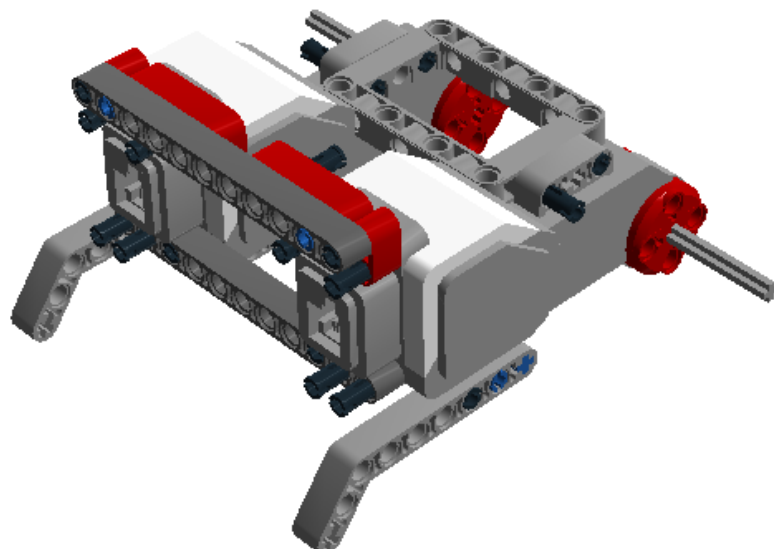
2 x



1 x



1 x

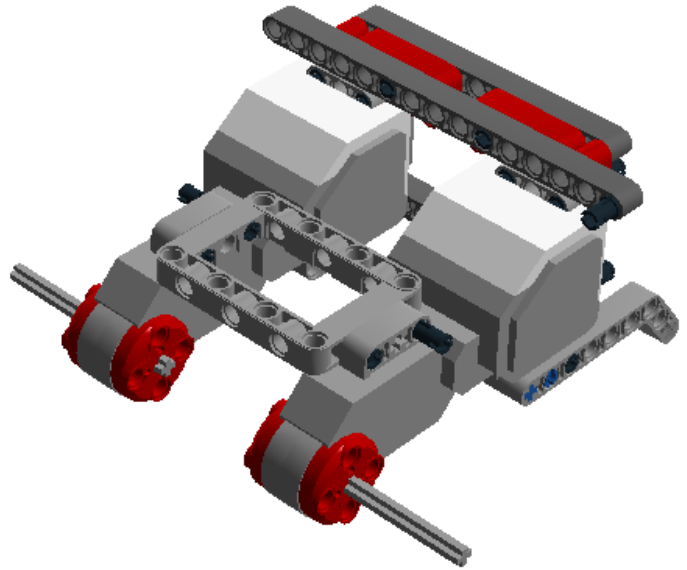


Step 11 of 23

1 x



2 x

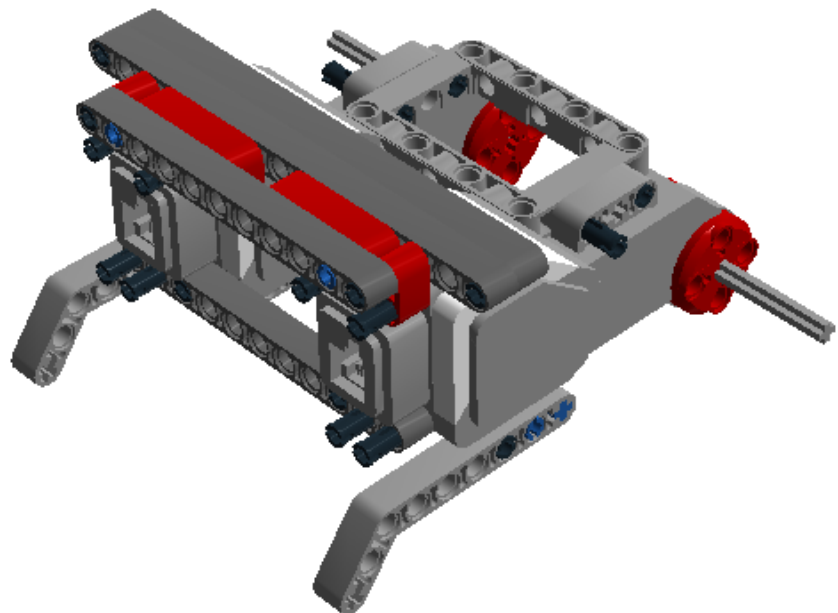


Step 12 of 23

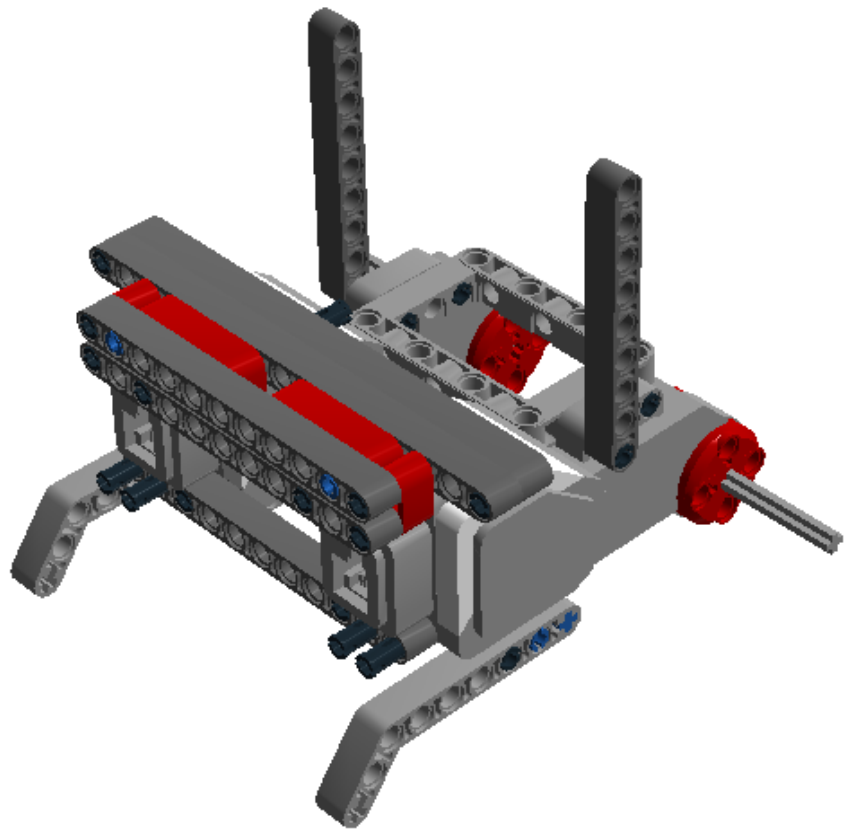
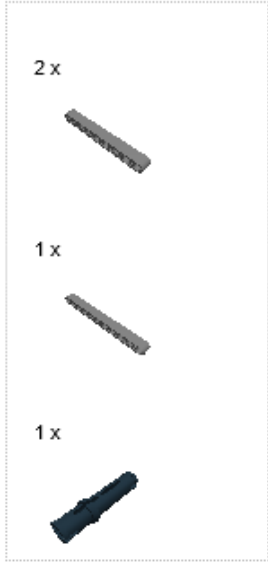
1 x



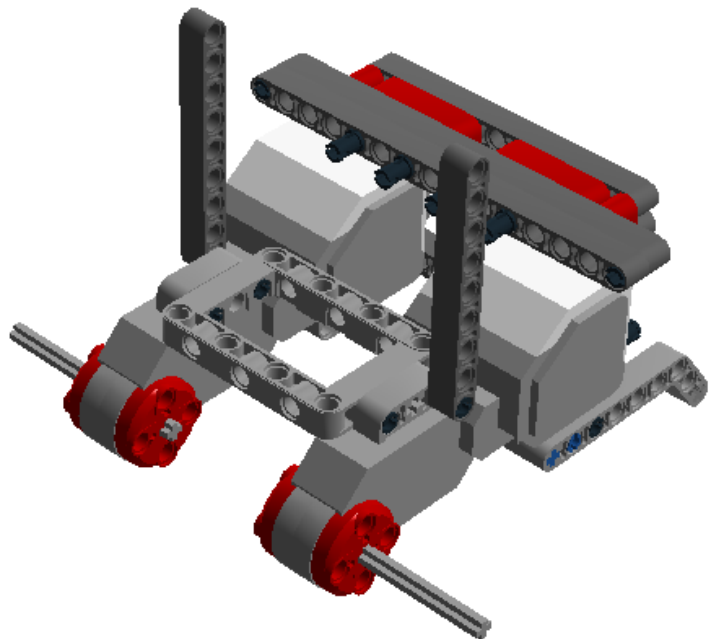
1 x



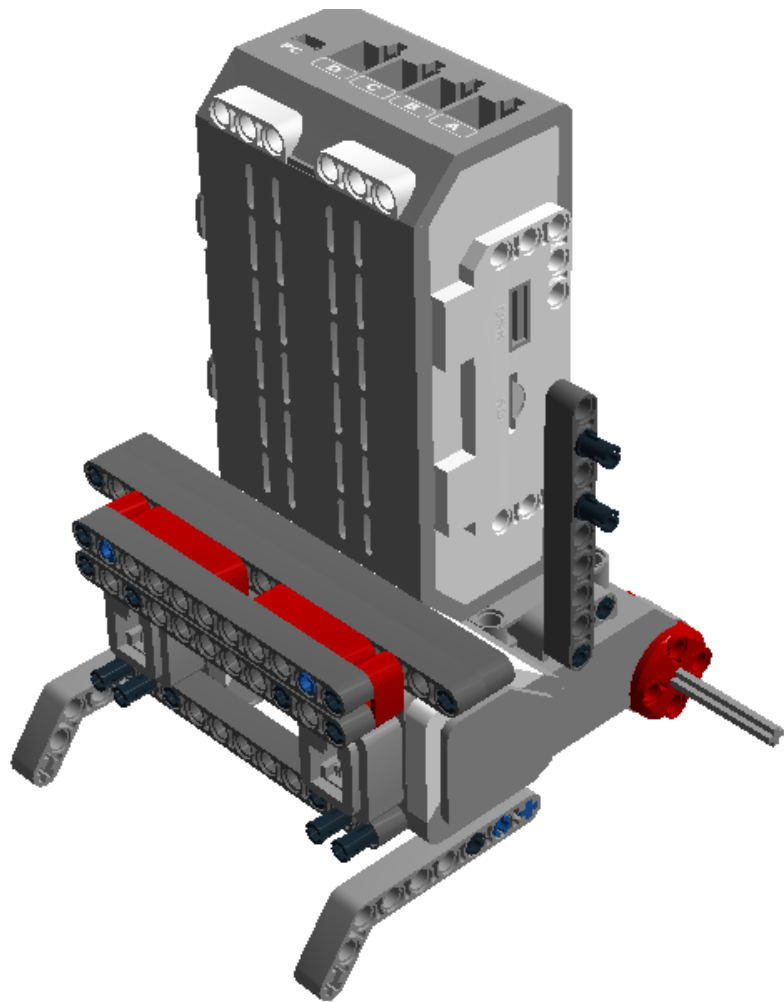
Step 13 of 23



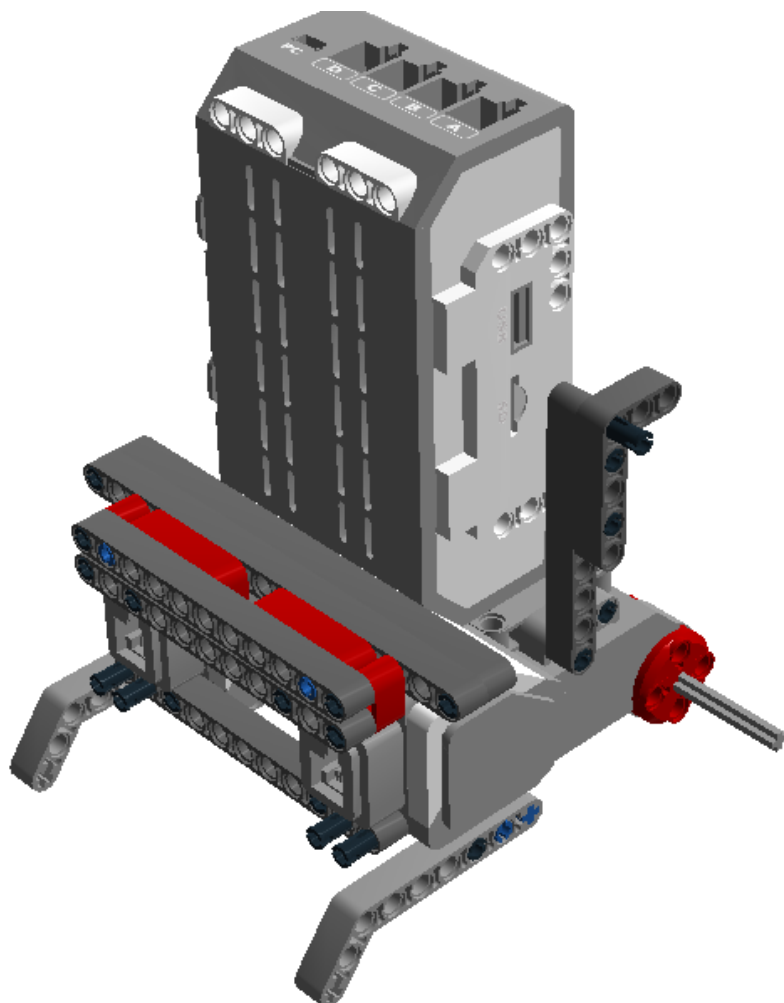
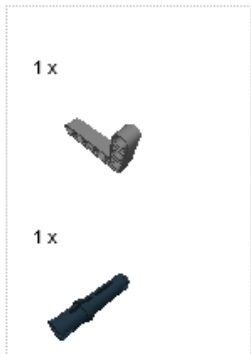
Step 14 of 23



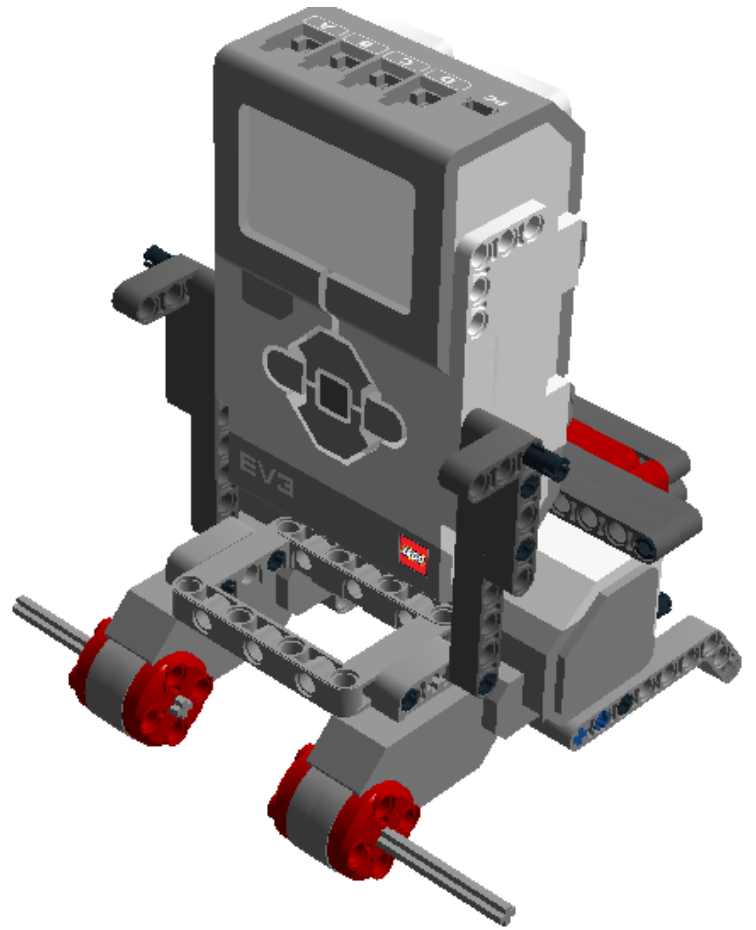
Step 15 of 23



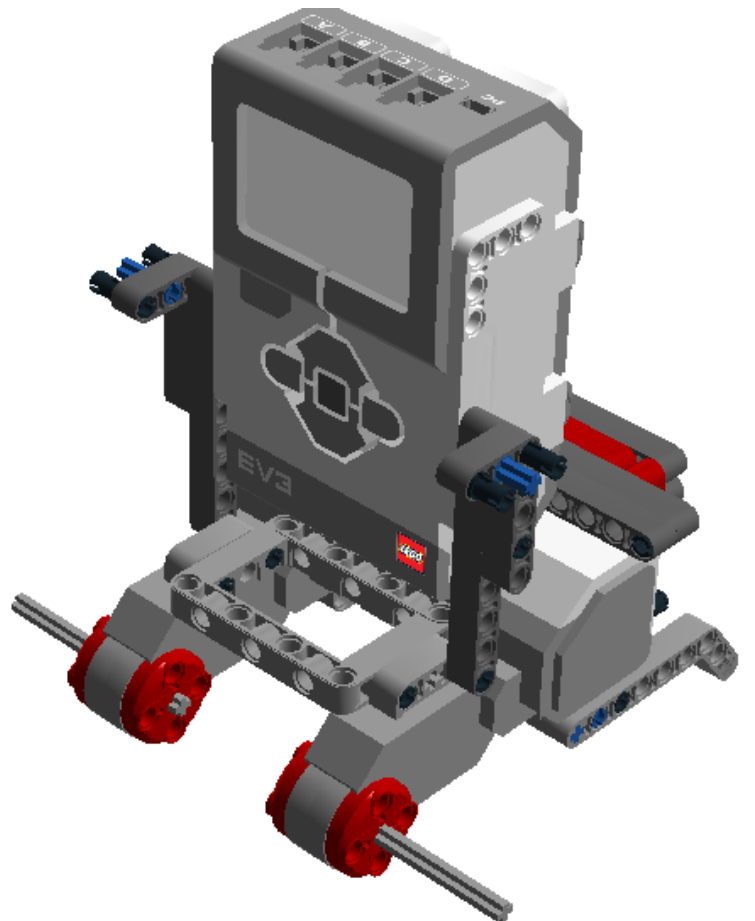
Step 16 of 23



Step 17 of 23

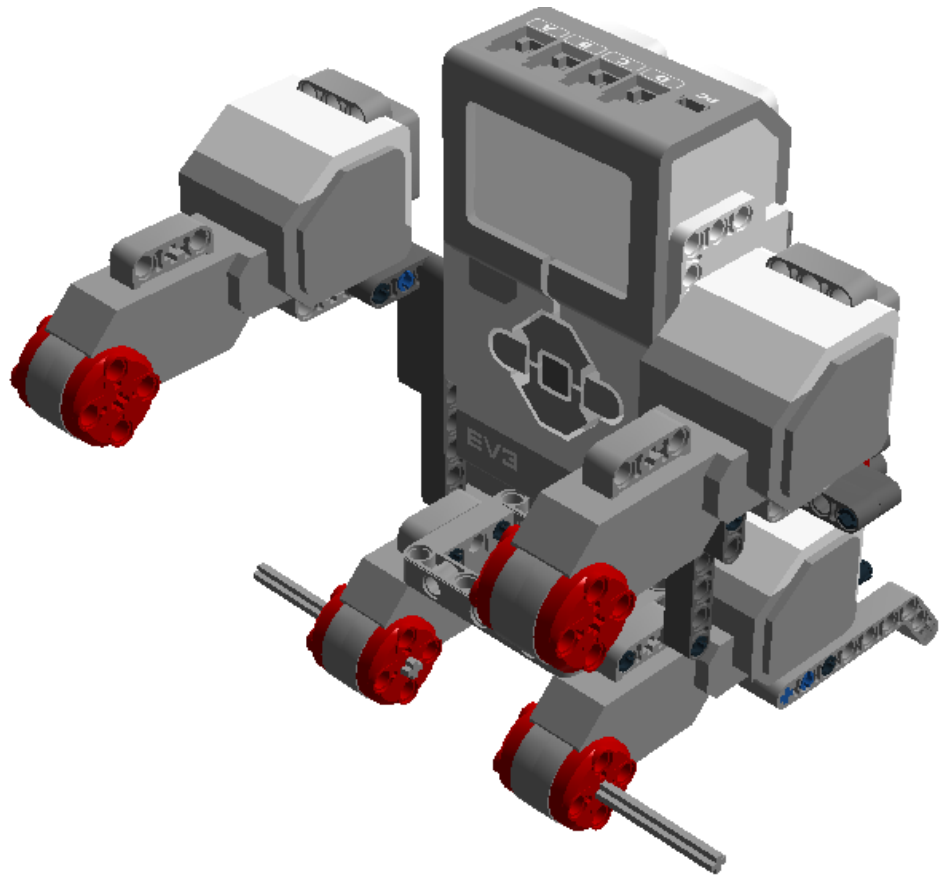


Step 18 of 23



Step 19 of 23

2 x



Step 20 of 23

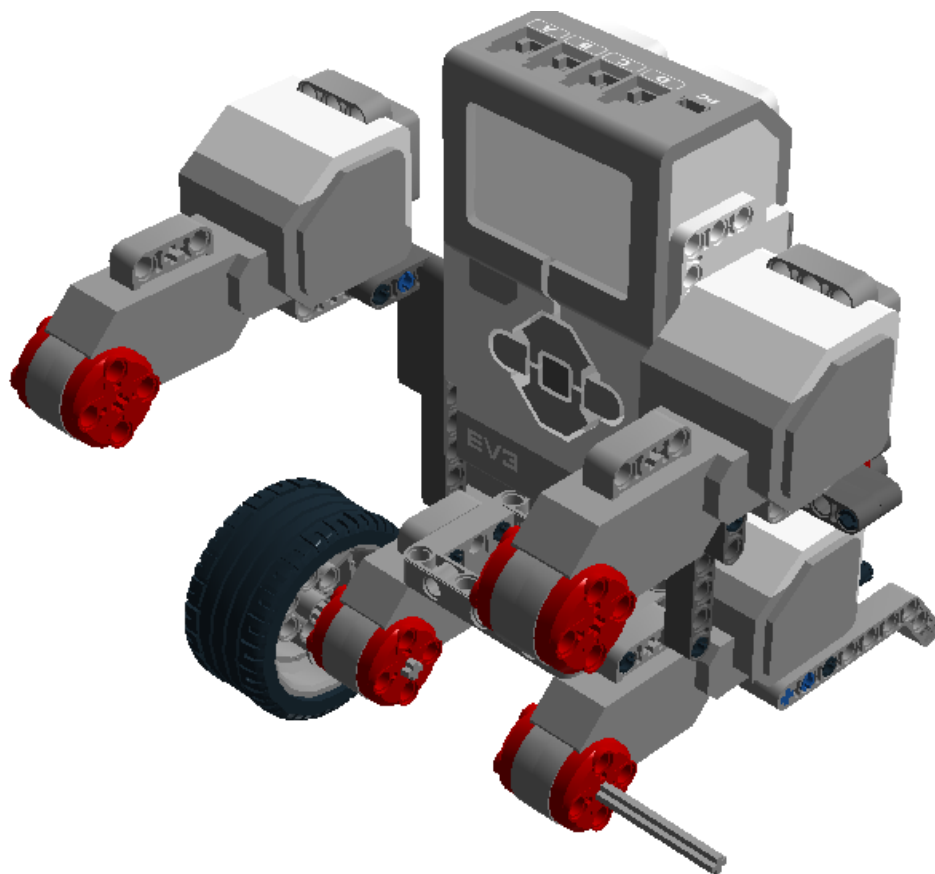
1 x



1 x



Step 21 of 23



Step 22 of 23

1 x



1 x



