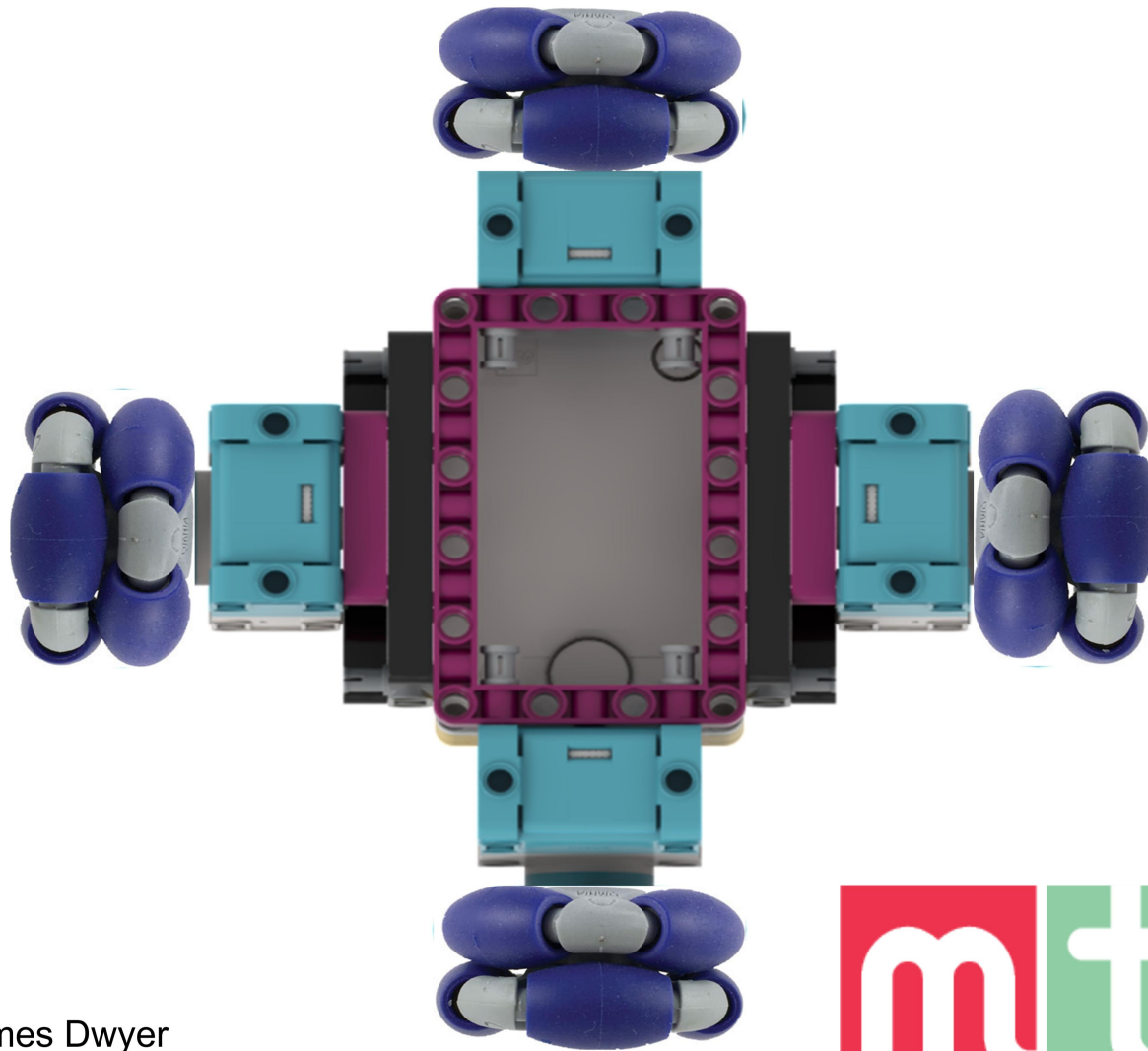
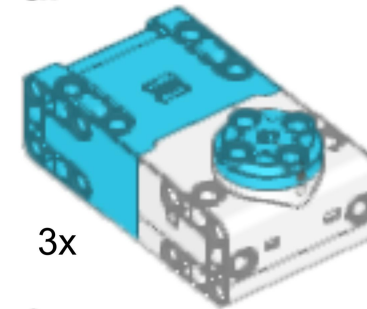


# SPIKE Prime Omnidrive Robot



+



3x

4x

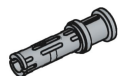


James Dwyer  
jdwyer@teaching.com.au

# Bill of Materials



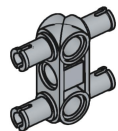
8x  
2780  
Black



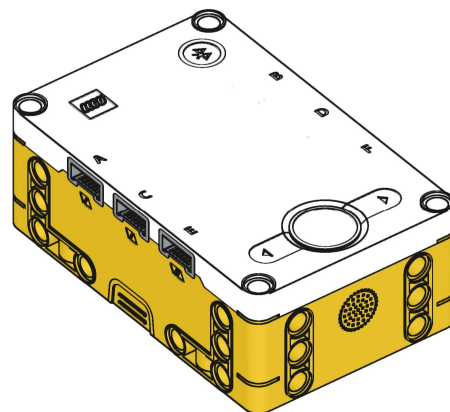
8x  
32054  
Light Bluish Gray



4x  
40490  
Black



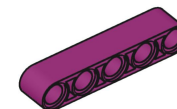
4x  
48989  
Light Bluish Gray



1x



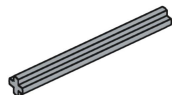
4x  
6558  
Blue



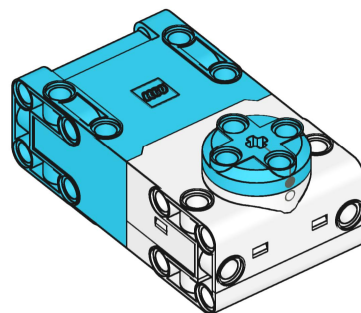
2x  
32316  
Magenta



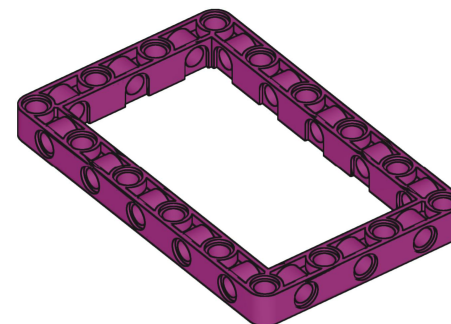
39367pb01 4x ROT5435  
Black



4x  
32073  
Light Bluish Gray



4x  
54675c01  
Medium Azure

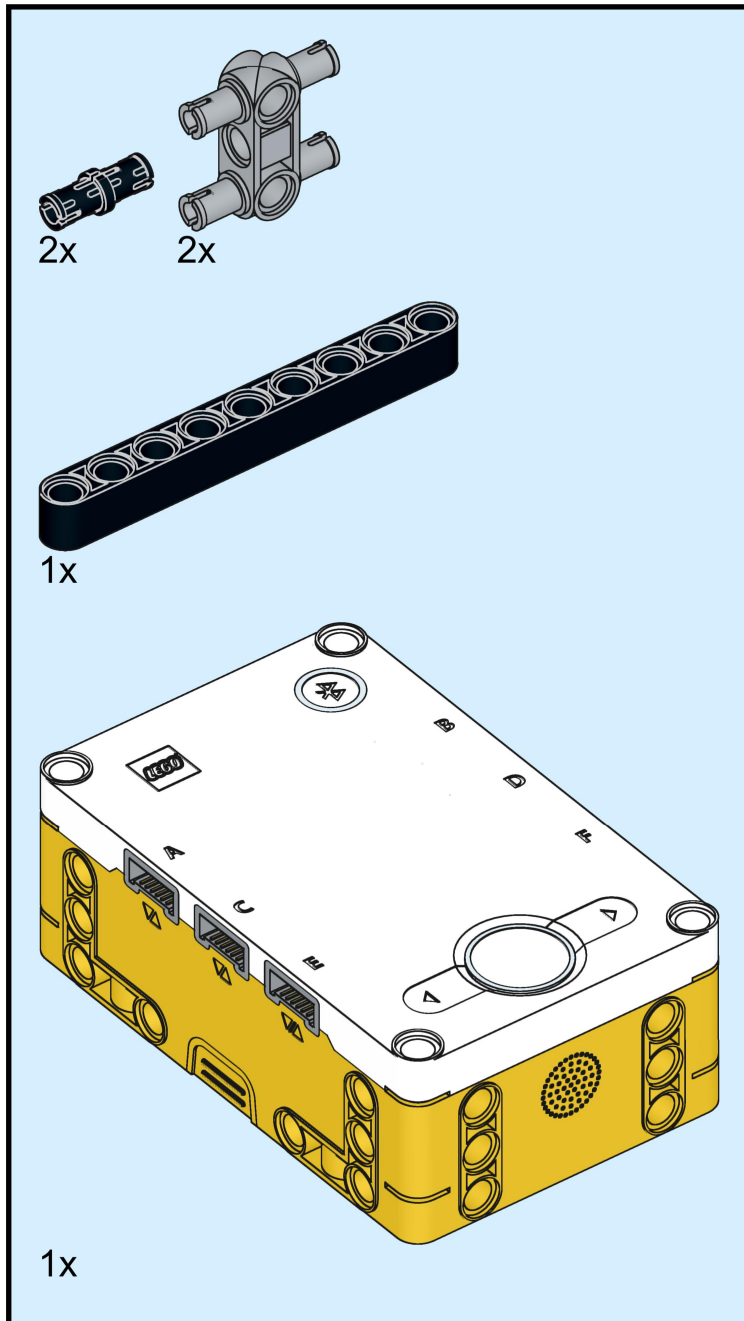


1x  
39794  
Magenta

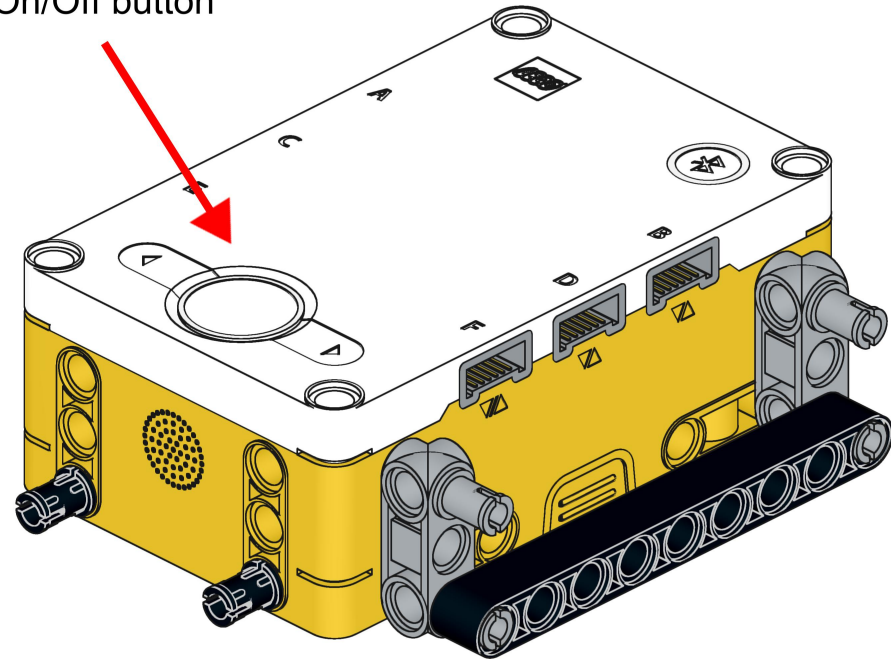


4x  
3713  
Light Bluish Gray

# 1

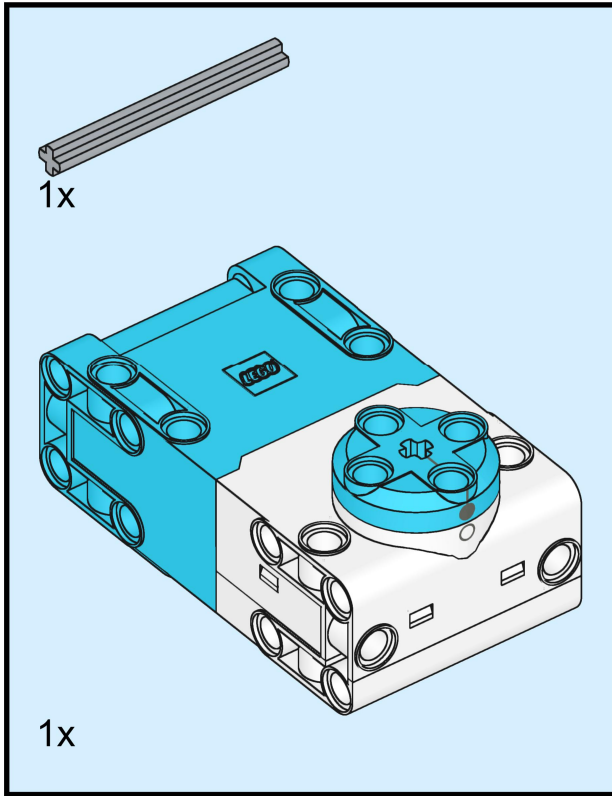


On/Off button

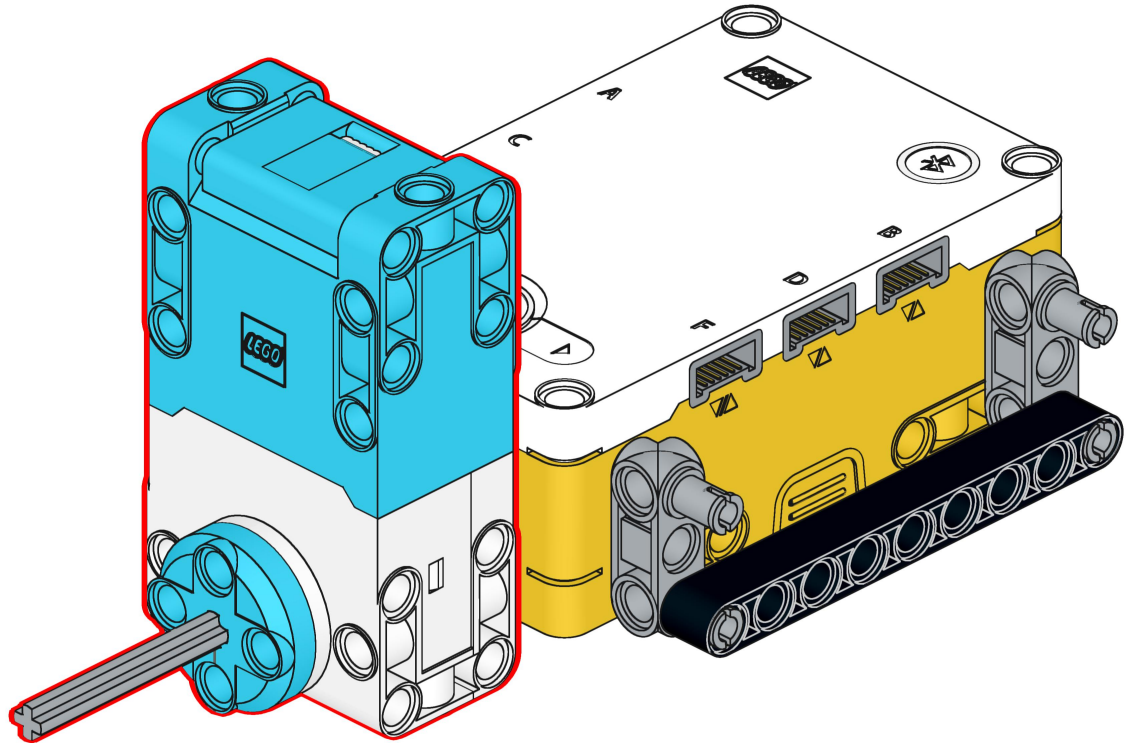


Note the orientation of the Hub

# 2

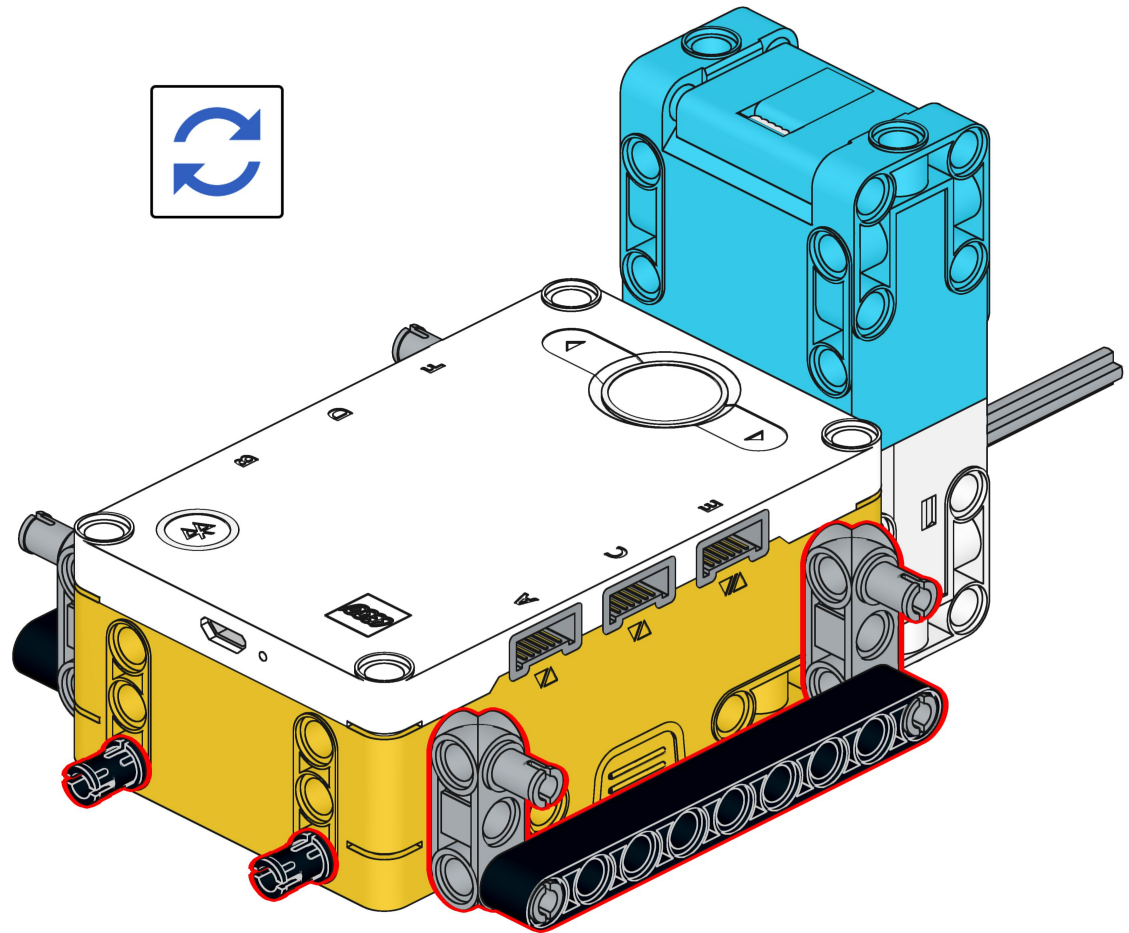
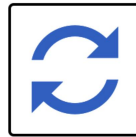
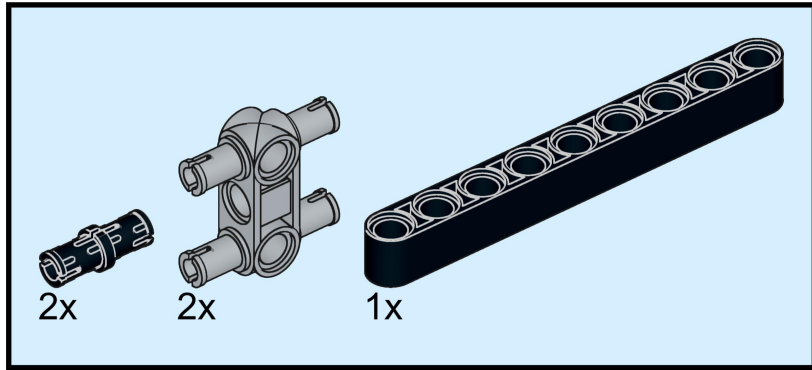


Plug motor into Port D

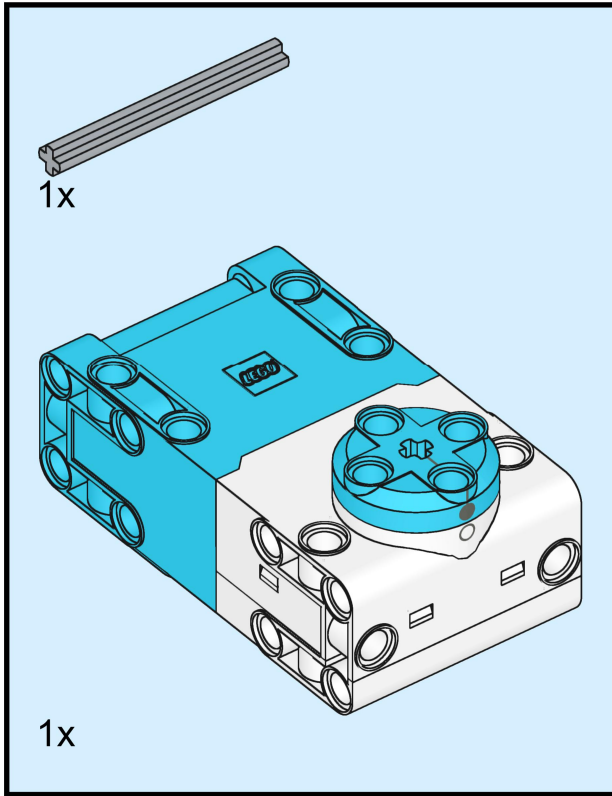




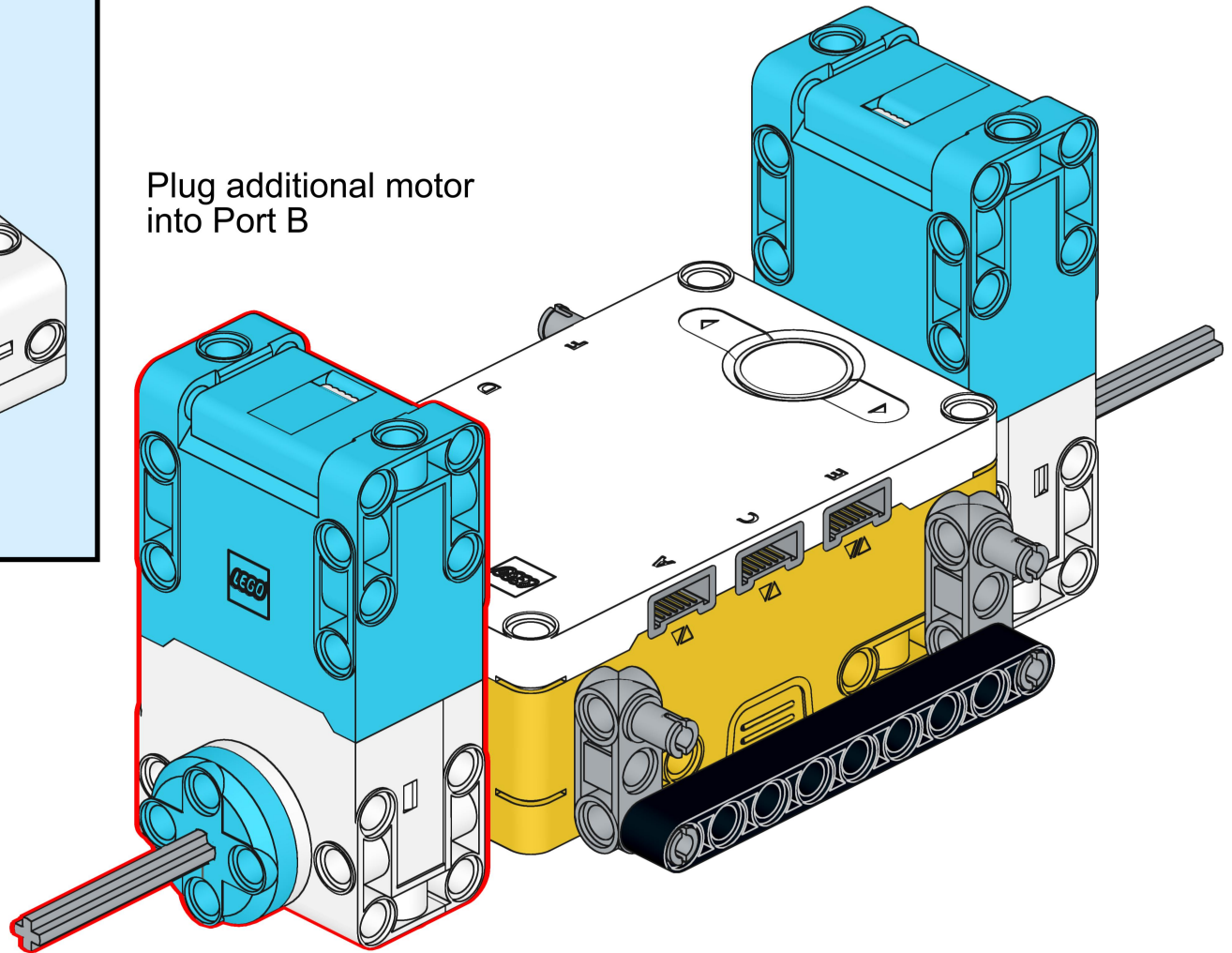
# 3



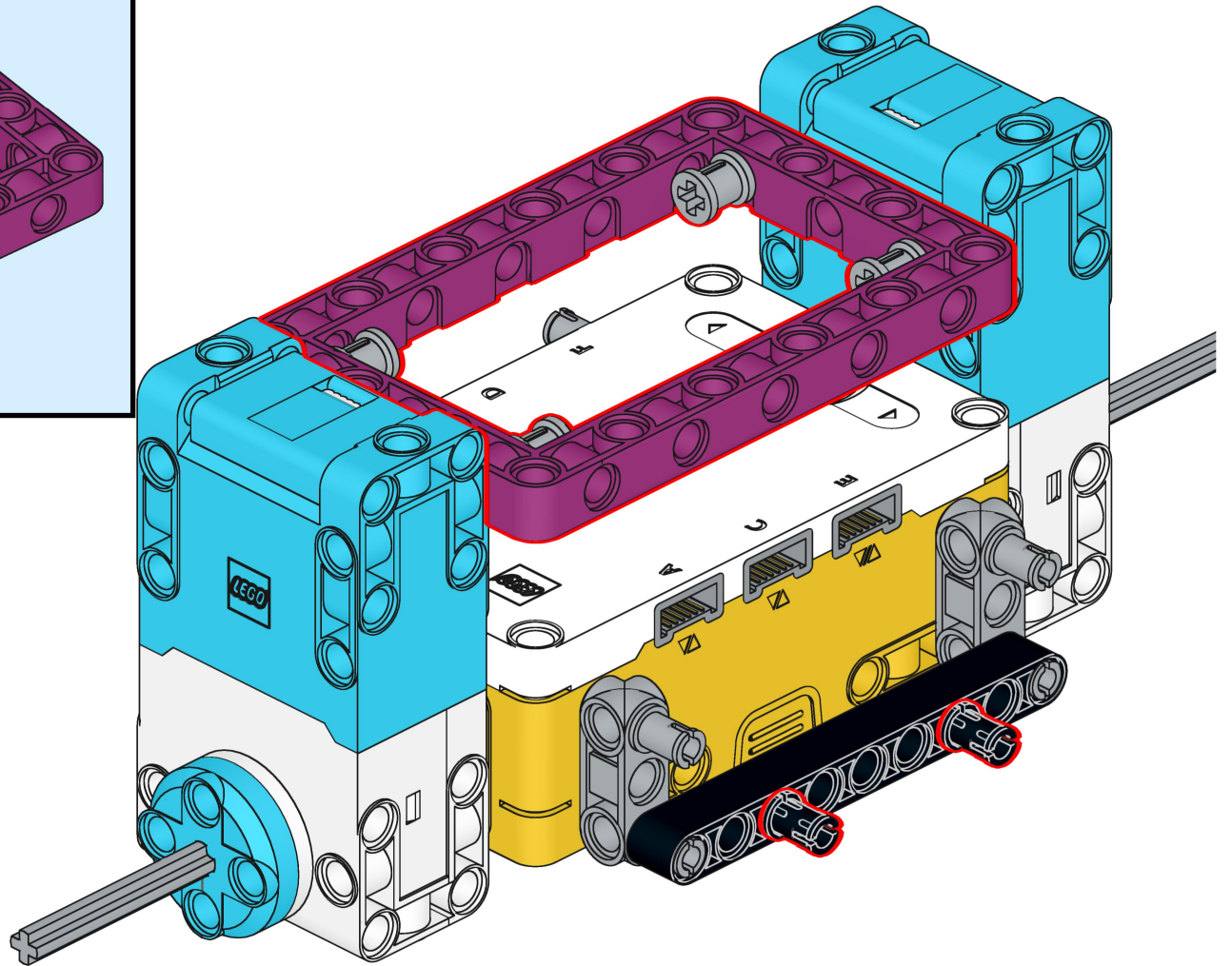
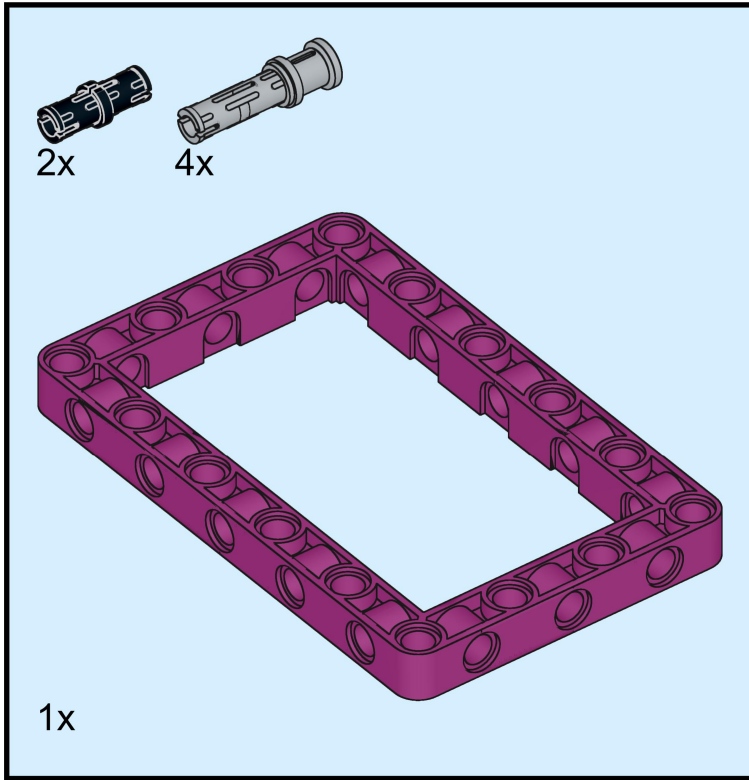
# 4



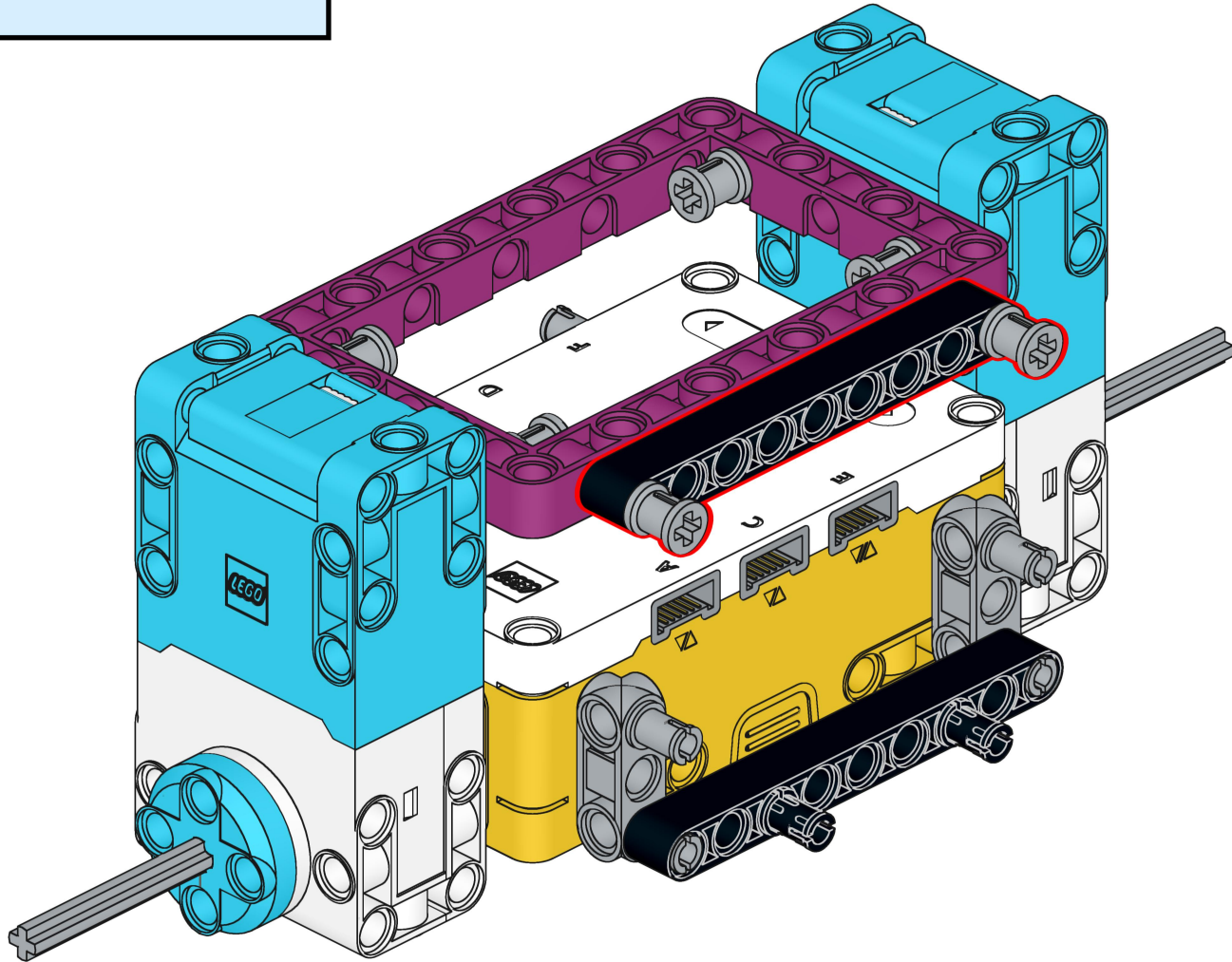
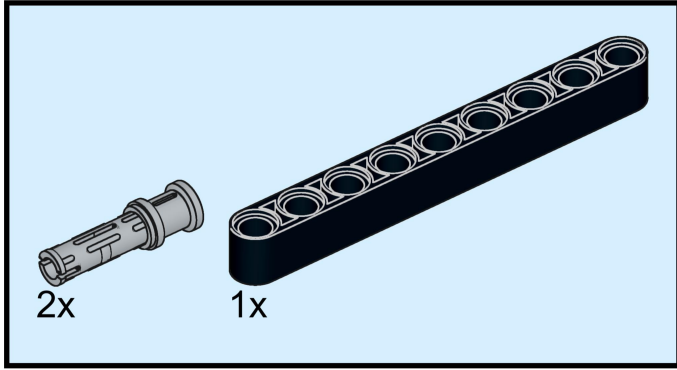
Plug additional motor  
into Port B



# 5

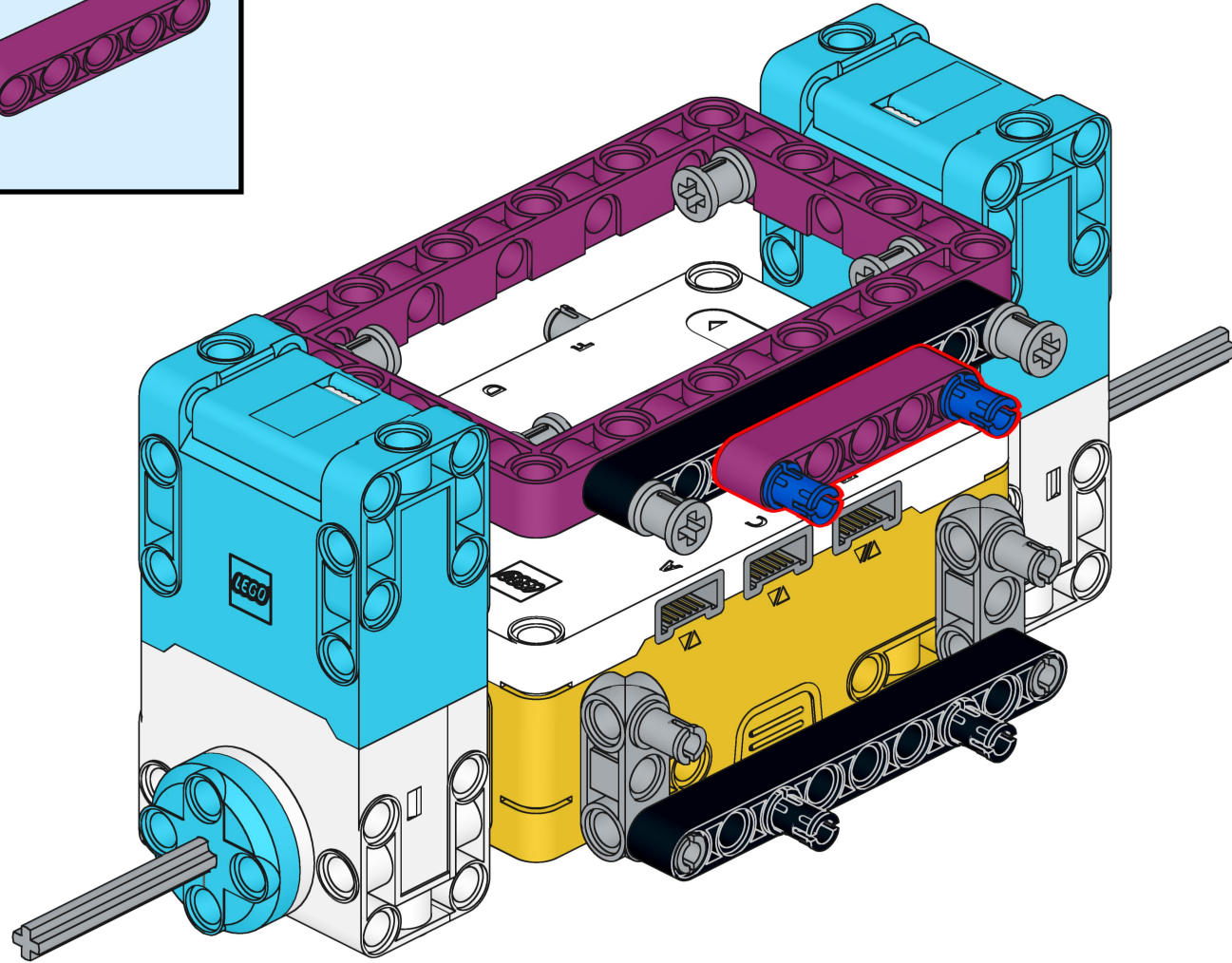
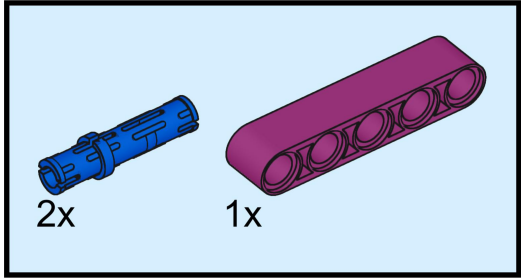


6



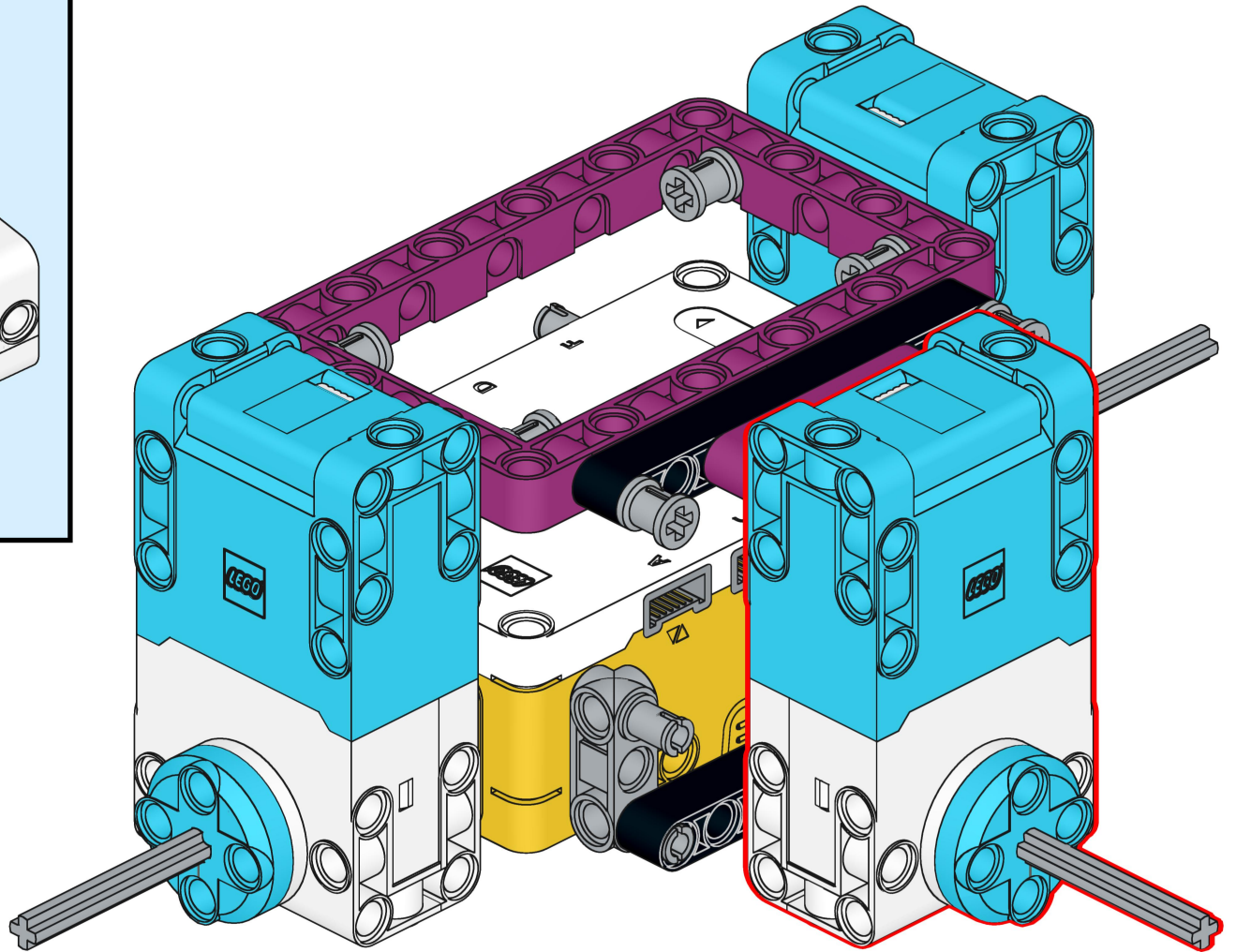
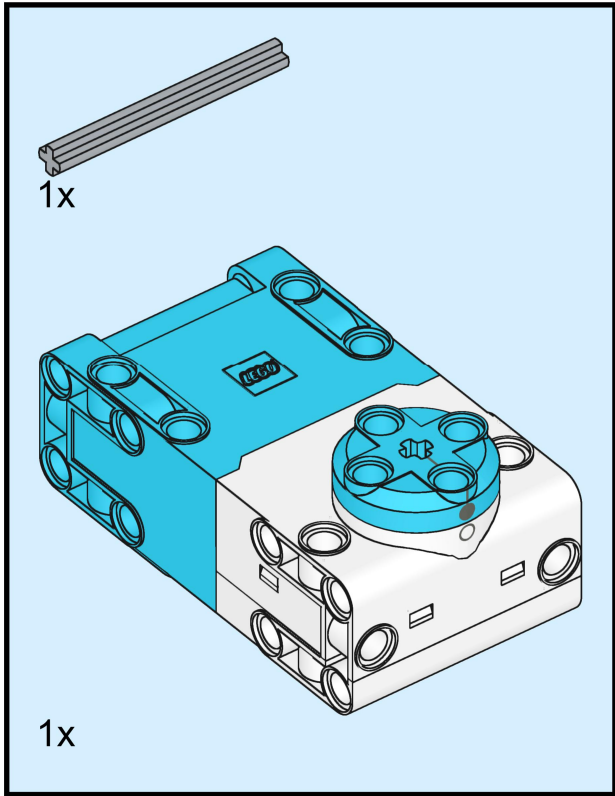


7



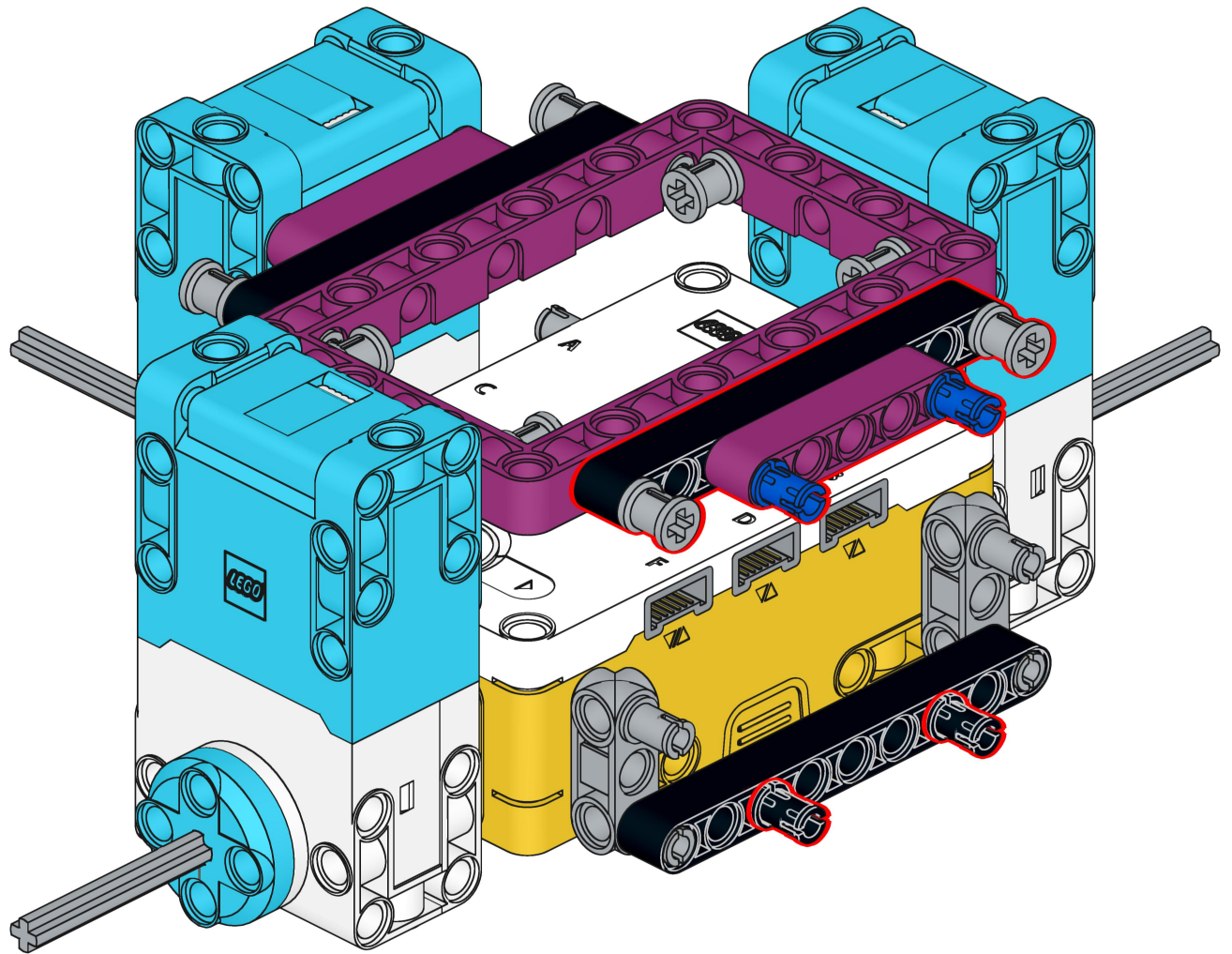
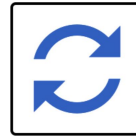
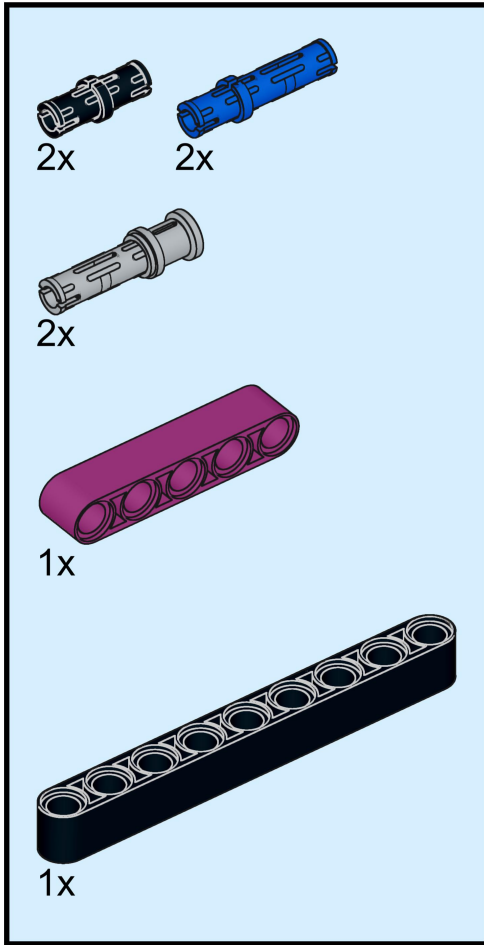


# 8

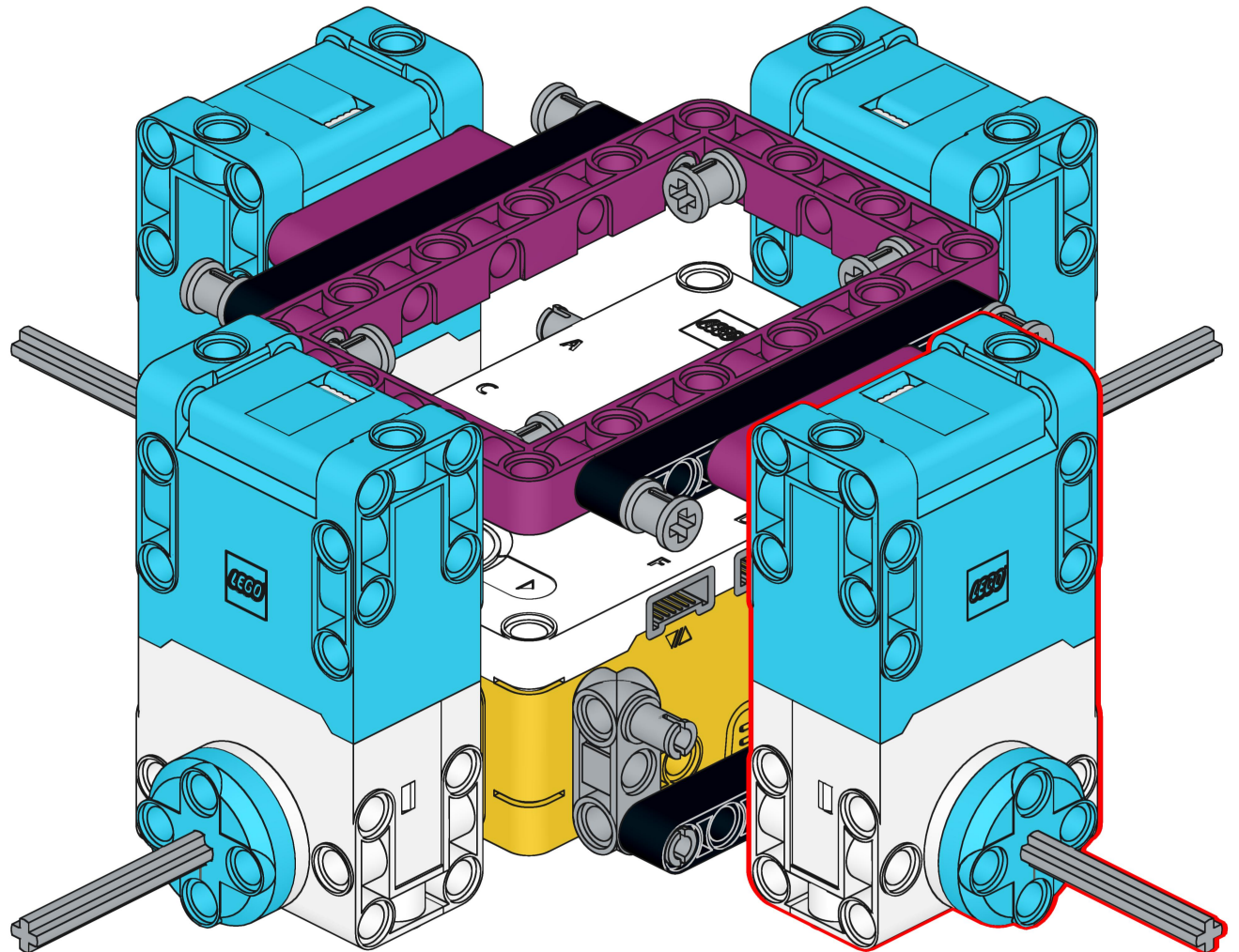
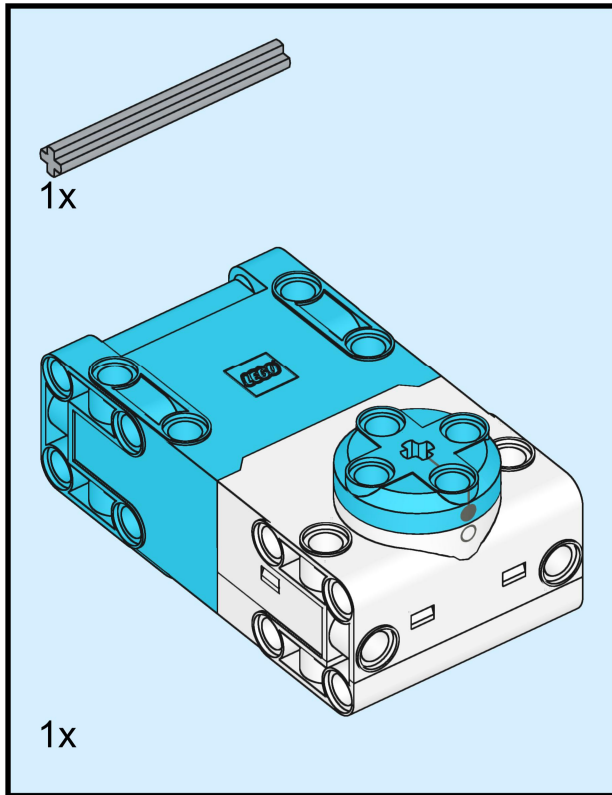


Plug additional motor into Port C

9



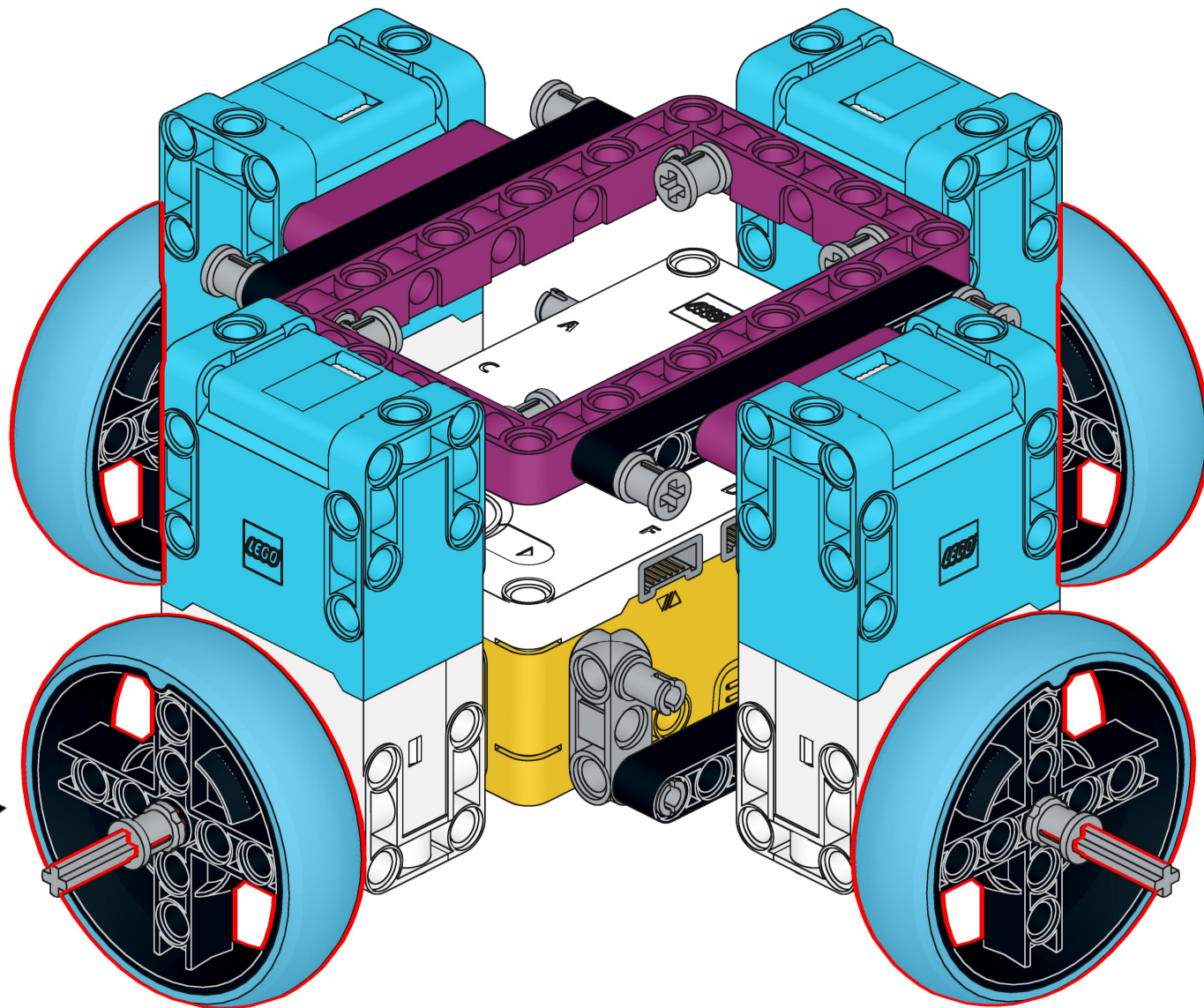
# 10



Plug additional motor into Port A



# 11



Replace these wheels  
with holonomic wheels