

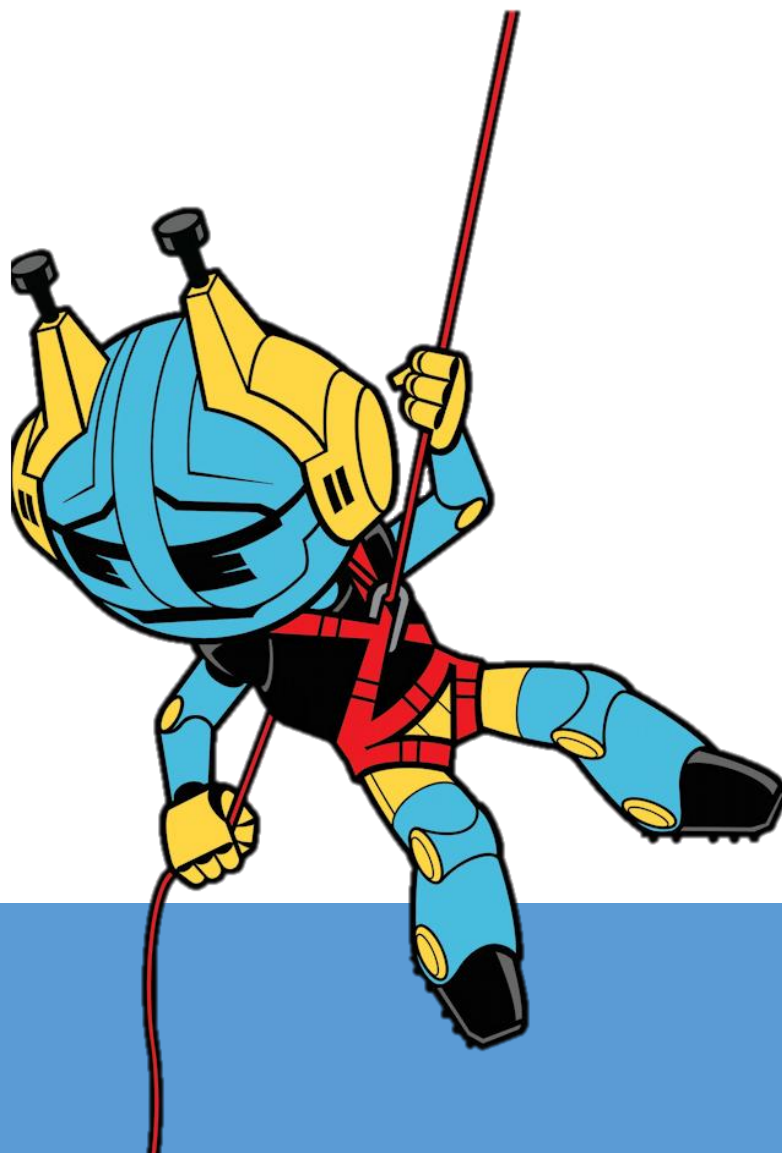


A U S T R A L I A

RoboCup Junior Australia

Rescue Line Rules 2025

Version 25.0 | Last Modified: 25 January 2025





RoboCup Junior Australia Executive Committee

| | |
|------------------------------------|--------------------------------|
| President | Evan Bailey (Victoria) |
| Vice President | Karen Binns (New South Wales) |
| Treasurer | David Ebert (Victoria) |
| Minutes Secretary | Brenda Gahan (Queensland) |
| Secretary | Wilson Cheng (New South Wales) |
| Digital Platforms Executive | Zac McWilliam (Victoria) |
| Relations Executive | Margaux Edwards (Queensland) |

Rescue Line State & Territory Contacts

National Challenge Coordinator Ashley Charleston (New South Wales) - ashley.charleston@robocupjunior.org.au

For State and Territory enquiries, contact information can be found on the RCJA Website:

[ACT](#) [NSW](#) [NT](#) [QLD](#) [SA](#) [TAS](#) [VIC](#) [WA](#)

Preface

Spirit

It is expected that all participants, students and mentors, will respect the aims and ideals of RoboCup Junior as set out in our mission statement. In turn, the volunteers, referees and officials will act within the spirit of the event to ensure the event is competitive, fair and most importantly fun. "It is not whether you win or lose, but how much you learn that counts."

Sharing

It is the overall desire of RoboCup Junior events that any technological and curricular developments will be shared with other participants after the events. Any developments including new technology and software examples, may be published on the RoboCup Junior website after the event, furthering the mission of RoboCup Junior as an educational initiative. Participants are strongly encouraged to ask questions of their fellow competitors to foster a culture of curiosity and exploration in the fields of science and technology.

Local Variations

These rules will be in use for the RoboCup Junior Australia Australian Open for the titled year. State and Regional events may implement variations of these rules. These variations will be communicated to the participants through email and/or on the relevant State Webpage on the RoboCup Junior Australia website prior to the state or regional event.

General Rules

General Rules have been introduced. Multiple sections of these Challenge Rules have been relocated to the General Rules to ensure consistency across all Challenges. Please ensure you read the General Rules, which can be downloaded from the [Rescue Line Challenge Page](#) on the RoboCup Junior Australia Website.

Notes/Advice vs. Rules

This document may include notes/advice to participants and mentors, plus rules that are firm. This has been done to remove ambiguity. There is a notation to indicate whether the content of this document is to be read as a note/advice or as a rule. Advice is noted in **green**. Rule changes for the new year are noted in **red**.



Change Log

| Revision | Change(s) Made |
|----------|-----------------------------------------------------------------------------------------------------------------------------------------------------------------------------------------------------------------------------------------------------------------------------------------------------------------------------------------------------------------------------------------------------------------------------------------------------------------------------------------------------------------------------------------------------------------------------------------------------------------------------------------------------------------------------------------------------------------------------------------------------------------------------------------------------------------------------------------------------------------------------------------------------------------------------------------------------------------------------------------------------------------------------------------------------------------------------------------------------------------------------------------------------------------------------------------------------------------------------------------------------------------------------------------------------------------------------------------------------------------------------------------------------------------------------------------------------------------------------------------------------------------------------------------------------------------------------------------------------------------------------------------------------------------------------------------------------------------------------------------------------------------------------------------------------------------------------------------------------------------------------------------------------------------------------------------------------------------------------------------------------------------------------------------------------------------------------------------------------------------------------------------------------------------------------------------------------------------------------------------------------------------------------------------------------------------------------------------------------------------------------------|
| | <p>Initial release for the season. Key changes from 2024 include:</p> <ul style="list-style-type: none"> • Physical Pool 1 now includes tiles with inclines up to 20° (see section 2.2.1). • Clarified the positioning of intersection markers (see section 2.2.1). • Tiles that consist of white lines with black background have been removed (see section 2.2.1). • At an intersection where there are no intersection markers, the robot must continue straight (see 2.3.1.1). • In Open Rescue Line only, when there are two intersection markers before an intersection (one on each side of the line), the robot must turn around (see section 2.3.1.3). • Updated intersection path diagram for clarity (see section 2.3.1.4). • The definition of speed bumps has been clarified to include that they may not be perpendicular to the line and may vary in shape (see section 2.4.2). • Clarified that where an obstacle is moved, the team may receive points for the tile but not the additional obstacle points (see section 2.4.7). • Increased the maximum incline from 19.5° to 20° (see section 2.5.1). • Removed the rule allowing the robot to take any path where there are multiple paths (see sections 6.5.1 & 2.3.1.4). • Increased the points scored for a tile with discontinuous line to 15 (see section 6.6.4). • Removed additional points for triggering special behaviour of robot (see section 6.6.4). • The Lack of Progress deduction now applies to all divisions (see section 6.6.6). • The application of the maximum deduction of 20 Lack of Progress points where the team elects to end their scoring run before the round timer has run out now applies to all division (see section 6.6.7). • Teams who do not successfully complete all scorable elements of the course will receive the maximum time for the round (see section 6.6.9). • General Rules have been introduced. Multiple sections of these Challenge Rules have been relocated to the General Rules to ensure consistency across all Challenges. Please ensure you read the General Rules, which can be downloaded from the Rescue Line Challenge Page on the RoboCup Junior Australia Website. |



Table of Contents

- 1 The Challenge 6
 - 1.1 The Scenario 6
 - 1.2 Event Divisions 6
- 2 Playing Field..... 7
 - 2.1 Tiles 7
 - 2.2 Lines 8
 - 2.3 Intersection Markers 8
 - 2.4 Speed bumps, Debris and Obstacles..... 9
 - 2.5 Ramps and Elevated Tiles 9
 - 2.7 Chemical Spills 10
 - 2.8 Start Locations 10
 - 2.9 Rescue Capsule 11
 - 2.10 Game Zone..... 11
- 3 Robot 12
 - 3.1 Robot Configuration 12
 - 3.2 Robot Control 12
 - 3.3 Inspection 12
 - 3.4 Violations 13
- 4 Validation of Work 13
 - 4.1 Electronic Submission 13
 - 4.2 Interviews 13
 - 4.3 Journal/Logbook/Technical Description Paper..... 13
 - 4.4 Journal/Logbook/Technical Description Paper Criteria 14
- 5 ~~Teams~~ Divisions 15
 - 5.1 ~~Definition~~ 15
- 6 Game Play..... 16
 - 6.1 Length of a Game..... 16
 - 6.2 Pre-Game 16
 - 6.3 Game Play 16
 - 6.4 Lack of Progress 17
 - 6.5 Following the Line..... 18
 - 6.6 Scoring 18
 - 6.7 Preliminary Rounds..... 19



| | | |
|-----|----------------------------|----|
| 6.8 | Finals..... | 20 |
| 6.9 | Special Circumstances..... | 20 |
| 7 | Conflict Resolution..... | 20 |
| 8 | Code of Conduct..... | 20 |



1 The Challenge

1.1 The Scenario

- 1.1.1 A terrible disaster has hit the city and caused a large chemical storage unit to rupture spilling thousands of litres of toxic chemicals in the centre of the city. There is a Victim trapped in a sinking Rescue Capsule in the chemical spill. Rescue crews are having trouble entering the city with the amount of rubble around, and rescue from the air has also been ruled out due to the noxious gases rising from the toxic chemicals directly above the spill. It has been decided that the best form of rescue is the deployment of an autonomous robot that can navigate to the chemical spill, rescue the victim, and exit the chemical spill.

Your team has been asked to design, make, and appraise a robot to complete this challenge.

1.2 Event Divisions

- 1.2.1 Riley Rover Rescue: The robot must navigate to the scene, find, and then rescue the Victim by pushing or dragging the Rescue Capsule out of the chemical spill.
- 1.2.2 Primary Rescue Line: The robot must navigate to the scene, find and then rescue the Victim by pushing or dragging the Rescue Capsule out of the chemical spill. The robot must then save itself by exiting the chemical spill via the 'Spill Access Point'.
- 1.2.3 Secondary Rescue Line: The robot must navigate to the chemical spill and then rescue the Victim by first controlling the Rescue Capsule and then manoeuvring and leaving it outside of the chemical spill in its original orientation. The robot must then save itself by exiting the chemical spill via the 'Spill Access Point'.
- 1.2.4 Open Rescue Line: The robot must navigate to the chemical spill and remove the correct Rescue Capsule from the chemical spill and place it in its original orientation safely on the Evacuation Platform for later collection by an aircrew. The robot must then save itself by exiting the chemical spill via the 'Spill Access Point'. The spill may contain one or more Rescue Capsules - Rescue Capsules with a Victim are silver (see 2.9.1) and empty Rescue Capsules with no Victim are black. Rescuing the Victim will earn the team points for a successful control and rescue. Rescuing an empty rescue capsule will not earn the team points for control or rescue.

Subject to age limitations and other criteria, Open Division teams who perform well in the National Event may qualify for the annual RoboCupJunior International Event. Other international events may have other divisions/qualification requirements.

- 1.2.5 International Rescue Line: This division will run using the Official RoboCupJunior International rules which can be found [here](#). Please note depending on interest, this division may only run as a demonstration only. Please note it is likely this division will only be available at the National Event.



2 Playing Field

All measurements in the rules have a tolerance of 5%.

2.1 Tiles

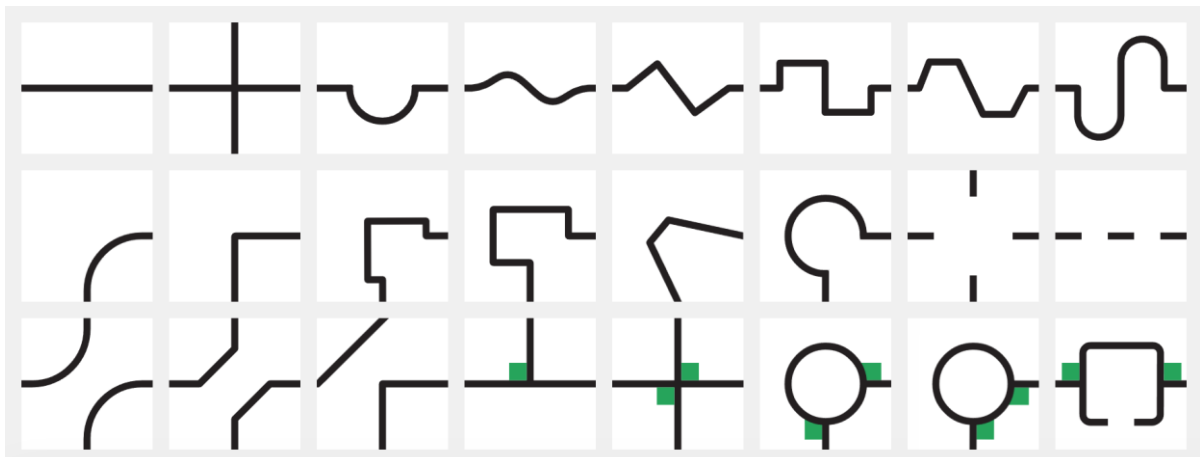
2.1.1 Tiles will fall into one of six pools, as described in the table below:

| Pool Name | Tile Characteristics |
|------------------------|-------------------------------------------------------------------------------------------------------------------------------------------------------------------------------------------------|
| Base Pool | Tiles that consist of continuous black lines with white background |
| Physical Pool 1 | Inclines not to exceed 20° from the horizontal Tiles with an obstacle |
| Physical Pool 2 | Inclines greater than 10° (e.g., See-saw, ramps from small tile set) Tiles with speed bumps or debris |
| Logical Pool 1 | Tiles with intersections marked with an intersection marker on a single side of the line immediately prior to the intersection |
| Logical Pool 2 | Tiles with discontinuous lines |
| Logical Pool 3 | Tiles that consist of white lines with black background, Intersections that contain an intersection marker on both sides of the line immediately prior to the intersection |

2.1.2 Tiles will be selected for each division as in the table below:

| | Base Pool | Physical Pool 1 | Physical Pool 2 | Logical Pool 1 | Logical Pool 2 | Logical Pool 3 |
|---------------------------|-----------|-----------------|-----------------|----------------|----------------|----------------|
| Riley Rover Rescue | ✓ | ✓ | | | | |
| Primary Rescue | ✓ | ✓ | ✓ | ✓ | | |
| Secondary Rescue | ✓ | ✓ | ✓ | ✓ | ✓ | |
| Open Rescue | ✓ | ✓ | ✓ | ✓ | ✓ | ✓ |

The field will consist of tiles, with differing patterns.
Tiles may include but are not limited to the designs shown below:



Tiles will typically be either 'Small Tiles', sized 297 mm x 297 mm, or 'Large Tiles' sized 594 mm x 594 mm. Small Tiles can be printed on A3 paper, and Large Tiles on A2 paper (A2 printing is commonly available at Officeworks).

- Example Tiles can be downloaded from the RCJ CMS here: https://rcja.app/rcj_cms/rescue/tiles
- The official RCJA Large Tile set can be purchased from the Store on the RCJA Website
- The official RCJA Small Tile set can be purchased from the Store on the RCJA Website



2.1.3 Tiles can be of various sizes with the minimum tile size of 297 mm x 297 mm. Tiles can be any shape or thickness and be made from any material that provides adequate traction for the robot (e.g., melamine, flute board, banner material).

Please note the Version 2 Small Tile set sold by Modern Teaching Aids (as linked from the RCJA Store) is deemed to comply with all requirements and constraints set out in '2 – Playing Field' in these rules.

2.1.4 Tiles will have a uniform background colour of either black or white allowing the line to be distinguishable from it by common light, colour, and vision sensors.

2.1.5 There will be a minimum of 4 tiles in addition to the chemical spill tile in a Preliminary Round or Head-to-Head Round.

2.1.6 The arrangement of tiles may vary between rounds.

2.1.7 The top surface of adjacent tiles may differ in height up to 5 mm and be separated by up to 5 mm.

2.1.8 The final selection of tiles and their arrangement will not be revealed until the day of the event.

2.2 Lines

2.2.1 The line on the tiles will have a width between 15 mm and 20 mm and be a contrasting colour to the background colour of the tile.

2.2.2 The line on a tile will be distinguishable from the background colour of the tile by common light, colour and vision sensors.

2.2.3 The internal radius of a curved line will be a minimum of 40 mm.

2.2.4 The minimum distance from the edge of the tile to the line should be 90 mm. Where this is not the case, support material will be added to the field to support the robot.

2.2.5 Lines may meet or form an intersection at any angle.

2.3 Intersection Markers

2.3.1 Intersection markers can be placed anywhere except in the chemical spill.

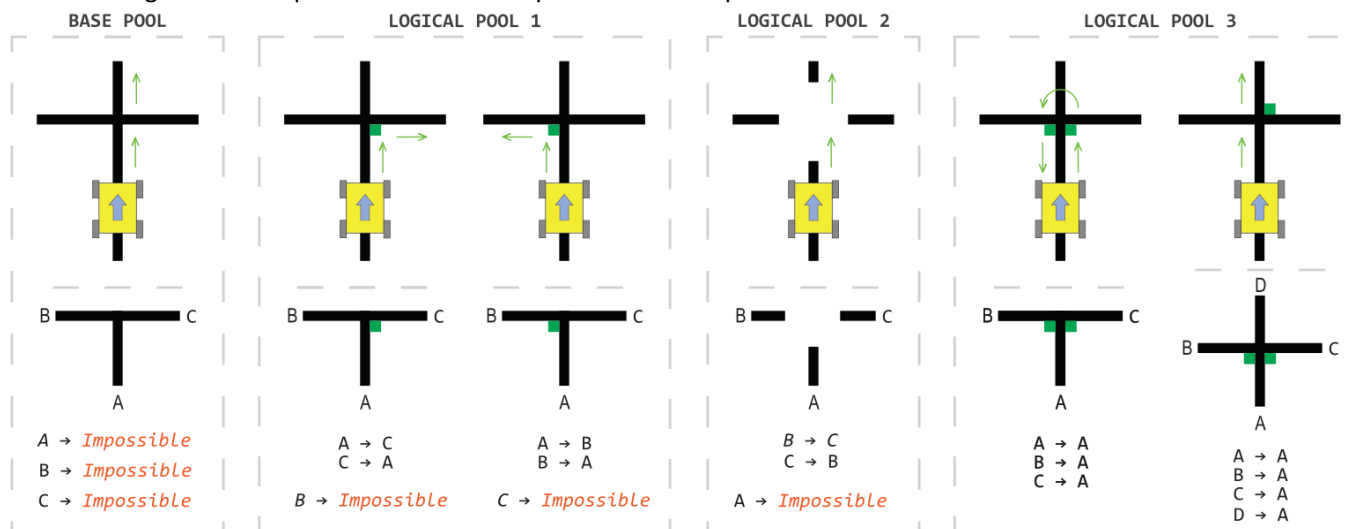
2.3.1.1 Intersection markers are green and 40 mm x 40 mm in dimension and indicate the suggested path to follow. If no intersection markers are placed before an intersection, the robot ~~is recommended to~~ **must** continue straight.

2.3.1.2 The colour of intersection markers will be consistent across a single path leading to the Chemical Spill.

2.3.1.3 In Open Rescue Line only, when there are two intersection markers before an intersection (one on each side of the line), the robot ~~should~~ **must** turn around.



2.3.1.4 In the path leading to the Chemical Spill, intersection markers will be placed immediately before the intersection. See image below for possible cases and expected robot response for each case.

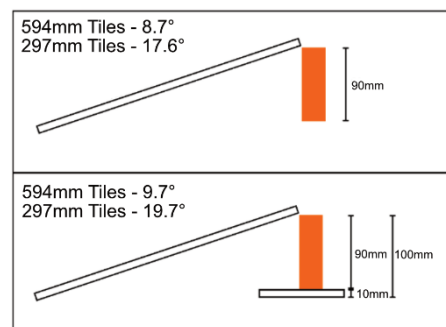


2.4 Speed bumps, Debris and Obstacles

- 2.4.1 Speed bumps have a maximum height of 10 mm. They are a similar colour to the tile's background.
- 2.4.2 Speed bumps will be fixed on the tile. They may be angled. They may not be perpendicular to the line and may vary in shape.
- 2.4.3 Debris have a maximum height of 3 mm and are not fixed on the tile. They are small materials such as toothpicks, paper, skewers, etc. The reflected colour of the debris cannot be a colour otherwise used on the course.
- 2.4.4 Debris may be spread across the tile.
- 2.4.5 Obstacles may consist of bricks, blocks, weights and other large, heavy items, which provide resistance when pushed or knocked by the robot. Obstacles will be a minimum of 150 mm high and have a base with a maximum diameter or diagonal length of 150 mm. Obstacles will not be placed closer than 250 mm from the edge of the field (including edges of tiles that are elevated by ramps) and inclined tiles.
- 2.4.6 An obstacle may not cover more than one line.
- 2.4.7 A Robot is expected to navigate around obstacles and reacquire the line within 30 cm of the obstacle. Obstacles that are moved in any way will remain where they are moved to, even if it ends up prohibiting the robot from proceeding. Where the obstacle has been moved teams may receive points for the tile and not the additional obstacle points.

2.5 Ramps and Elevated Tiles

- 2.5.1 Tiles on different levels are connected by ramp tiles. A ramp will not exceed an incline of more than ~~19.5°~~ 20° from the horizontal surface.
- 2.5.2 Tiles may be elevated off the floor by supporting blocks placed in the corner of the tile. They may only be re-positioned to provide robot clearance by an official.





2.5.3 No provision will be made to assist robots that drive off a tile, from getting back on the tile.

2.5.4 Tiles may be elevated. Elevation will occur in 90 - 100 mm increments.

Elevation blocks may be placed on a supporting tile. Rescue Line courses may incorporate 'Tunnels'. Robots, therefore, must be designed so that they can navigate along any tile that may be placed on the base of the 'Tunnel'.



2.6 Doorways

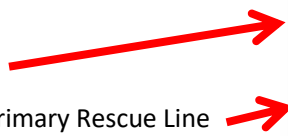
2.6.1 The Doorway will:

2.6.1.1 Be 270 mm wide and 270 mm high for Open Rescue Line

2.6.1.2 Be 180 mm wide and 180 mm high for Riley Rover Rescue, Primary Rescue Line and Secondary Rescue Line

2.6.2 A doorway may be placed on a straight section of the line with the two uprights approximately equidistant from the line. It will be free standing and will not be mounted or taped directly to the tile.

2.6.3 If a doorway is present on the course the robot must have passed through it before the score for the round will be recorded (see 3.1.1).



2.7 Chemical Spills

2.7.1 A Chemical Spill will be green in colour and be distinguishable from the background colour of the tile by common light and vision sensors. It may be any shape and size.

2.7.2 At the point where the black line meets a Chemical Spill, there will be a piece of smooth reflective tape (the Spill Access Point) to indicate that the robot is entering the Chemical Spill. The Spill Access Point will have a minimum size of 70 mm x 20 mm.

2.7.3 For Open Rescue Line only, Chemical Spills can have one or more Evacuation Platforms located within them. There may be more than one Chemical Spill in a Preliminary Round or Head-to-Head Round. An Evacuation Platform will be a distinguishable colour, 200 mm wide, and a height and depth of 70 mm.

2.8 Start Locations

2.8.1 The field can have at most two start locations, the City Limits and the Drop Zone

2.8.2 The City Limits tile consists of a lead-in black line and does not count for any points. Robots are to start behind the join between the City Limits and the first course tile.

2.8.3 Robots must start from the City Limits at the start of the scoring run.

2.8.4 The join between two tiles may be nominated as the Drop Zone and may be used as a start location after at least one Lack of Progress has occurred. The Drop Zone may not be used as the first start location at the start of the scoring run unless there is no City Limits present on the course.

2.8.4.1 The Drop Zone must be at least two tiles away from the Chemical Spill. Once the game timer has started, the Drop Zone cannot be changed (unless a Restart is called). **The nominated Drop Zone can be different for each round.**

2.8.4.2 A Drop Zone Puck of a suitable size and colour to be easily identified by the Robot Handler and referees without interfering with the robot will be used to mark the Drop Zone.

2.8.5 If a Lack of Progress occurs, the robot must be repositioned at either one of the Start Locations and started.



2.9 Rescue Capsule

- 2.9.1 A Rescue Capsule with a Victim inside will be represented by a standard 375 ml aluminium can, standing upright, wrapped in ~~aluminium foil or aluminium foil tape~~ **silver tape** ([available on the RoboCup Junior Australia Store](#)).
- 2.9.2 The Rescue Capsule will be located in a new position in the Chemical Spill for each round. The Rescue Capsule will not be placed on the Chemical Spill until the robot has commenced moving. Within a round, the positioning of the Rescue Capsule may not be the same for each team, but it will be placed in a position that is considered to be of equivalent difficulty to find and rescue.
- 2.9.3 The Rescue Capsule or Capsules will be moved and repositioned in an upright orientation only after a restart but not under any other circumstance (see 6.4.7).
- 2.9.4 Open Rescue Line: A Rescue Capsule contaminated by the chemical spill without a Victim inside will be represented by a standard 375 ml aluminium can, standing upright, painted matt black or wrapped with black tape. This capsule will be referred to as an empty capsule.
- 2.9.5 Rescue Capsules, with or without a Victim, will contain material such as rice bringing the weight of the Rescue Capsule to a maximum of 100 gm. A liquid will not be used to add weight to the can.

2.10 Game Zone

- 2.10.1 The area around the Preliminary Round or Head-to-Head Round will be designated as the Game Zone. Only officials, referees, and the Robot Handler may enter the Game Zone.
- 2.10.2 Each team can have only one robot in the Game Zone.
- 2.10.3 Access to the Game Zone by participants prior to the start of the event will be allowed at the discretion of the RoboCup Junior Australia Rescue Coordinator or other relevant person.



3 Robot

3.1 Robot Configuration

In 2025 the General Rules have been introduced. Parts of this section of these Challenge Rules has been relocated to the General Rules to ensure consistency across all Challenges. Please ensure you read the General Rules, which can be downloaded from the [Rescue Line Challenge Page](#) on the RoboCup Junior Australia Website.

- 3.1.1 Robot must be able to pass through the Doorway without moving it significantly from its original position. The robot must do this autonomously during the scoring run. Any robot that is unable to pass through the Doorway will be declared ineligible for that round, unless a restart is called, and the robot is modified to allow passage.
- 3.1.2 Riley Rover Rescue and Primary Rescue Line robots must not increase in size, extend, or use a device intended to sweep the Victim. Robots must demonstrate a search algorithm to find the Rescue Capsule as specified in 1.2.
- 3.1.3 Secondary Rescue Line and Open Rescue Line robots must have a functioning and demonstrable mechanism with the potential to control AND rescue the Victim as specified in 1.2. There will be no points given for a round where this mechanism cannot be seen by the referees.
- 3.1.4 ~~Any robot kit or building materials may be used, as long as the robot fits the specifications documented in these rules and as long as the design and construction are primarily and substantially the original work of the student(s). Commercial robot kits may be used but must be substantially modified by the student participants.~~
- 3.1.5 Robots should be well engineered and constructed. The robot should not fall apart during the game. If the robot has substantially failed mechanically, fallen apart (see 6.3.5) or is unable to complete the challenge, the robot will be deemed damaged and the Robot Handler will be asked to remove the robot from the field. The Robot Handler may choose to restart according to 6.4.7, otherwise the round is deemed to have ended.
- 3.1.6 A team will not be able to compete with a robot substantially the same as another team's robot.
- 3.1.7 A team will not be able to compete with a robot that is identical to another team's robot from previous years.

3.2 Robot Control

- 3.2.1 Robots cannot be started from a secondary device, such as a laptop, tablet, or mobile phone. Robots must have their program downloaded to them and be able to be started/restarted manually by the Robot Handler.
- 3.2.2 Robots must be autonomous in operation. If the robot has the capability for remote or any other wireless control (such as by Bluetooth, Wi-Fi or another form of wireless communication), the team must prove that they have disabled the capability for third party operation in some way. This could be by software, hardware or degree of human interaction. Robots that do not comply may face immediate disqualification from the event. Distributed control is allowed but must operate without human interaction after the robot has started the round.
- 3.2.3 Pre-mapping and/or any type of dead reckoning (i.e., configuring the robot's program based on predefined locations, tiles, obstacles, location of victim, number of victims etc. before game play) is prohibited.
- 3.2.4 The use of remote control of any kind is forbidden.

3.3 Inspection

- 3.3.1 Teams may be scrutinised to establish the ownership of robot design and programming.
- 3.3.2 The robot will be inspected by a panel of referees before/during or after the event to ensure that the robot adheres to all relevant rules.
- 3.3.3 It is the responsibility of teams to have their robot re-inspected if their robot is modified at any time during the event.



3.4 Violations

- 3.4.1 Any violations of the inspection rules will prevent the robot from competing in a round until modifications have been made to the robot to ensure compliance.
- 3.4.2 Modifications must be made within the time schedule of the events. Rounds will not be delayed due to late teams.
- 3.4.3 If a robot fails to meet all specifications (including modifications) the robot will be disqualified from that round (but not the event).
- 3.4.4 If it is determined that the work on the robot is not substantially the original work of the team members or the construction or programming of the robot be deemed not that of the team, the team will be referred to officials. Should the Rescue Coordinator (or other relevant person) on the advice of the officials then uphold the view of the scrutiniser, the team may be disqualified from the event.

4 Validation of Work

4.1 Electronic Submission

- 4.1.1 Before registration closes, prior to the event, each team must electronically submit their journal, logbook or technical description paper and program or source code to the event organisers via the event web site or as otherwise directed. **Teams can continue to work on their robot, programs and this document after submission.**

4.2 Interviews

- 4.2.1 Teams may be required to attend a technical interview to explain the operation of their robot in order to verify that the design, construction and programming of the robot is the students' work. There are no set questions. If interviews are being conducted, either a schedule will be released, or teams will be advised to go for an interview throughout the event well in advance of the Head-to-Head Round.
- 4.2.2 Teams must bring their journals, logbooks or technical description papers and a running laptop to their interview with their program open and be able to talk through the logic of the program with the interviewer. Screenshots of the program or source code are not sufficient.
- 4.2.3 Interviews are not scored and do not contribute to overall team score.
- 4.2.4 Team member(s) will be asked questions about their preparation efforts, and they may be requested to answer surveys and participate in videotaped interviews for research purposes.

4.3 Journal/Logbook/Technical Description Paper

- 4.3.1 All teams must maintain a design journal/logbook/technical description paper detailing the design, development and construction of the robot and its programs as part of the learning experience. The journal/logbook/technical description paper can be in the form of a written document, PowerPoint presentation, website, or blog, etc. Journals/Logbooks/Technical Description Papers are not scored and do not contribute to the team's overall score but will be used to determine ownership of designs.
- 4.3.2 Construction of components (not freely or commercially available to all competitors) must be accompanied by full documentary proof that the developments were wholly the work of the students. This should be in the form of technical documentation showing all stages of design, development, testing and construction.
- 4.3.3 Failure to produce documentary proof of students' work may result in the robot or custom component not being allowed to compete in the tournament.
- 4.3.4 Teams who fail to submit a journal, logbook or technical description paper may not be eligible for special awards.



4.4 Journal/Logbook/Technical Description Paper Criteria

4.4.1 The following headings are a guide in the development of student logbooks/journals. [These criteria are mapped to the Australian National Technologies Curriculum. A Technical Description Paper template can be downloaded from the RCJA Rescue Line Challenge Web Page.](#)

| | |
|-------------------------------|------------------------------------------------------------------------------|
| Team Name | |
| Team Members | List each member's role |
| School or Organisation | |
| Problem Definition | Define and decompose the problem |
| Planning | |
| | Identify the roles of the team and the order of tasks |
| Solution Design | Design the user experience of a digital system |
| | Design algorithms and validate them. |
| Implementation | Implement modular programs, applying selected algorithms and data structures |
| Evaluation | Critically evaluate the developed solution. |
| Student Collaboration | Create innovative solutions for sharing your ideas and information. |
| | Plan and manage projects using an interactive and collaborative approach |
| Robot | Construction Photos |
| | Code |



5 Teams Divisions

In 2025 the General Rules have been introduced. Parts of this section of these Challenge Rules has been relocated to the General Rules to ensure consistency across all Challenges. Please ensure you read the General Rules, which can be downloaded from the [Rescue Line Challenge Page](#) on the RoboCup Junior Australia Website.

5.1 Definition

5.1.1 A team should have a minimum of 2 members and a maximum of 4 members.

~~An individual participant is permitted to compete in the Rescue Challenge at a RCJA Australian Open as an individual only once. To do so the individual must seek approval from the event organiser. If a team can only afford, or due to extenuating circumstances, cannot send more than one member to an event, then this is allowed as the Journal/Logbook/Technical Description Paper will show that they have been part of a team.~~

5.1.1.1 Students will participate in only one of the four Rescue Line divisions: Riley Rover Rescue, Primary Rescue Line, Secondary Rescue Line or Open Rescue Line. ~~Teams can also compete in Rescue Maze.~~

5.1.2 The eligibility requirements for each Rescue Line Challenge Division are:

5.1.2.1 **Riley Rover Rescue:** Open to students at an age that would typically be studying at either a primary or secondary provider. This is open to students who are new to Rescue Line or attempting a new challenge such as creating a robot based on an Arduino or Raspberry Pi controller programmed with a text-based coding language. Teams will only be allowed to enter this division where all students have not participated in Rescue Line in a prior year. Additionally, if the team significantly changes hardware and/or software e.g. changing from a LEGO robot to a custom Arduino Robot, it is deemed the years of participation resets to zero. ~~Students should be guided to a higher division by their mentor as capability increases.~~

5.1.2.2 **Primary Rescue Line:** Open to students at an age that would typically be studying at a recognised primary study provider. ~~Team members can compete any number of times whilst they are enrolled at a recognised primary study provider.~~

5.1.2.3 **Secondary Rescue Line:** Open to all students at an age that would typically be studying at a recognised secondary study provider. Team members are only eligible to compete for a total of two years in this division after which they must participate in Open Rescue Line.

5.1.2.4 **Open Rescue Line:** Open to all students at an age that would typically be studying at a recognised primary or secondary study provider.

5.1.3 For each round, one team member is to be nominated as the Robot Handler. Only the Robot Handler is permitted to enter the Game Zone and handle the robot during the round. All other team members must remain outside the Game Zone unless authorised by the Referee, Official or other relevant person.

5.1.4 The Robot Handler is the only team member permitted to communicate directly with the Referees, and Officials.

5.1.5 In the Game Zone no secondary device, such as a laptop, tablet, or mobile phone are allowed



6 Game Play

Games will be organised into Preliminary Rounds, then a Head-to-Head Round.

6.1 Length of a Game

- 6.1.1 Organisers will ensure that the field design will be a suitable length for the time limit.
- 6.1.2 A robot will have a maximum time limit to complete the course. Time limits are:

| Division | Game Length (sec) | Calibration Window |
|-----------------------|-------------------|----------------------------------|
| Riley Rover Rescue | 120 | Prior to the game clock starting |
| Primary Rescue Line | 120 | Prior to the game clock starting |
| Secondary Rescue Line | 150 | Prior to the game clock starting |
| Open Rescue Line | 240 | After starting the game clock |

- 6.1.3 Time limits may be extended for any round. This is at the discretion of the Rescue Coordinator. Participants will be informed of the change prior to the running of the round.

6.2 Pre-Game

- 6.2.1 The Referee will ask the Robot Handler if they would like to nominate a Drop Zone. If the Robot Handler elects a Drop Zone, the join between tiles will be marked with the Drop Zone Puck.
- 6.2.2 The Referee will ask the Robot Handler if they are happy with the course. After positive acknowledgement, the Robot Handler may place the robot on the City Limits ready to start.
- 6.2.3 The robot must start from the City Limits (see 2.8). The entire robot must be behind the join between the City Limits and the next course tile.
- 6.2.4 The Referee will ask the Robot Handler if they are ready to start. The Robot Handler must indicate to the Referee they wish to commence the Rescue run.

6.3 Game Play

- 6.3.1 Once a team is ready to perform a scoring run, they must notify the Referee. The Referee will indicate to the Robot Handler that they may proceed. At this point the round begins and the Referee starts the game timer for the round.
- 6.3.2 Robots may move in any direction from the Drop Zone. The entire robot must be behind the join between the two tiles.
- 6.3.3 Once the round has begun, the robot is not permitted to leave the Game Zone for any reason.
- 6.3.4 Modifying a robot, once a round has begun, is prohibited until the run is over or a Restart is called (see 6.4.7). This includes adding, removing, or remounting parts, or changing the program.
- 6.3.5 Any parts that have fallen off during a round, intentionally, or otherwise, are to be left in the Game Zone and cannot be moved or removed by the Robot Handler until the run is over or a Restart is called (see 6.4.7).
- 6.3.6 The robot must pass over the Spill Access Point (2.7.2) to enter the Chemical Spill.
- 6.3.7 Once the robot has entered the Chemical Spill it is no longer required to follow the line. It may enter the Chemical Spill in any orientation in its efforts to rescue the Victim.



6.3.8 To rescue the Victim:

6.3.8.1 **Riley Rover Rescue** and **Primary Rescue Line**: The Victim is considered rescued when the Rescue Capsule is completely outside the Chemical Spill.

6.3.8.2 **Secondary Rescue Line**: Control of the Rescue Capsule means the Rescue Capsule will move with the robot no matter which direction the robot moves (forward, backwards or rotating in either direction.) The Victim is considered rescued when the Rescue Capsule is completely outside the Chemical Spill and has been released in an upright, top up orientation by the robot.

6.3.8.3 **Open Rescue Line**: Control is defined as having lifted the Rescue Capsule to a height that will allow the Rescue Capsule to be placed on the platform and maintain the lift while the robot is moving. The Victim is considered rescued when the Rescue Capsule has been placed on the Evacuation Platform in an upright, top up orientation and has been released by the robot. Any capsules placed on the Evacuation platform will be “airlifted” off the Evacuation Platform by the referee creating room for the placement of additional capsules, ~~if required~~.

6.3.9 The round is considered complete when any one or more of the below conditions has been reached:

6.3.9.1 The maximum possible points for the round are achieved, not including deductions (known as the Gross Score).

6.3.9.2 The game timer has run out.

6.3.9.3 The Robot Handler declares an end to the scoring run. **If the robot handler declares an end before time runs out the maximum lack of progress deduction will be applied (see 6.6.7.)**

6.3.10 It is the responsibility of the Robot Handler before exiting the Game Zone to double check with the referee that their team score, time, penalties and other data recorded has been entered correctly and this has been indicated on the scoring system.

6.4 Lack of Progress

6.4.1 A Lack of Progress occurs when any one or more of the below conditions has been reached:

6.4.1.1 The robot is touched by a human.

6.4.1.2 The Robot Handler calls a Lack of Progress (for example, if the robot is about to fall and be damaged or the robot is malfunctioning).

6.4.1.3 The robot knocks over the Doorway or moves it significantly from the original position. If this occurs, the Doorway will be returned to its original position.

6.4.1.4 The robot is stuck in the same place.

6.4.1.5 The robot moves completely out of the field.

6.4.1.6 The robot exits the Chemical Spill in a direction other than via the ‘Spill Access Point’ or exits without attempting to rescue the Victim.

6.4.1.7 The robot ceases to follow the line. Robots are not allowed to take shortcuts within a tile, the line shape must be substantially followed on that tile unless there is an obstacle on that tile that must be avoided (see 2.4.7), or the line is discontinuous (see 6.5.2).

6.4.1.8 The robot fails to reacquire the line before exiting the tile.

6.4.2 A robot travelling towards, and then exits the field via the City Limits, may re-start the course with no Lack of Progress penalty.

6.4.3 If a Lack of Progress occurs, the robot must be repositioned at either one of the Start Locations (see 2.8) and started.



- 6.4.4 Only the Robot Handler is allowed to start the robot.
- 6.4.5 There is no limit to the number of touches due to lack of progress within a round.
- 6.4.6 The game clock will continue running during all lack of progress touches and Restarts.
- 6.4.7 The Robot Handler may call for a Restart to the Scoring Run up to three times. This allows the team to change their program, modify the robot, retrieve any components of the robot lost on the course and set a new Drop Zone.
 - 6.4.7.1 During a restart, the game clock does not stop, however all points earned or lost prior to the Restart are invalid and scoring begins again from zero points once the robot commences a new Scoring Run.
 - 6.4.7.2 The course will be reset back to its original state upon call of a Restart.
- 6.4.8 The Robot Handler may choose to make further attempts at the course to earn additional points available for completing tiles, obstacles, speed bumps, etc. that have not already been earned by calling a Lack of Progress and starting from a designated Start Location (see 2.8).

6.5 Following the Line

- ~~6.5.1 Where there are multiple paths, the robot may take any path.~~
- 6.5.2 Where the line is discontinuous, and there is no continuous path through the tile, the robot may search for the recommencement of the line but must not completely leave the tile before re-finding the line.
- 6.5.3 A robot is considered to be following the line as long as some part of the robot is over the line while being viewed from directly above the robot by the referee.
- 6.5.4 Where a line exists, some portion of the line segment should be under the robot (see 6.4.1.7 and 6.4.1.8).

6.6 Scoring

- 6.6.1 Teams will be awarded 10 points for each line follow tile that their robot successfully negotiates. For example, robots reaching the fourth tile would have successfully negotiated three tiles and be awarded 30 points.
- 6.6.2 Teams will gain an extra five points for each intersection marker they correctly follow. For example, if a robot correctly follows both shortcut markers on the roundabout, it will be awarded 10 points for completing the line follow of the tile and 10 points (five plus five) for correctly following the two shortcut markers.
- 6.6.3. Rescue Teams will be awarded an additional 20 points for fully exiting the Chemical Spill via the Spill Access Point. The robot must reacquire the line and successfully complete one full tile **after** rescuing the Victim or attempting to rescue the Victim before the points are awarded.
- 6.6.4 **Scoring Summary:**

| Action Completed | Points Scored |
|-----------------------------------------------------------------------------------------------------------------|---------------|
| Tile with continuous line | 10 |
| Tile with discontinuous line | 15 |
| Follow an intersection marker | +5 |
| Execute a robot behavior triggered by a coloured marker or interaction with an element in the field. | +5 |
| Bridge, See-Saw or equivalent | +5 |



| Action Completed | Points Scored |
|-----------------------------------------------------------------------------------------------------------------------------------------------|---------------------------------|
| Speed bumps | +5 |
| Debris | +5 |
| Obstacle | +10 |
| Riley Rover Rescue and Rescue Line Primary – Rescue Victim | 50 for Rescue |
| Rescue Line Secondary – Rescue Victim Rescue points can only be awarded following award of Control points | 50 for Control 50 for Rescue |
| Rescue Line Open – Rescue Victim Rescue points can only be awarded following award of Control points | 50 for Control 50 for Rescue |
| Rescue Line Open – Control or Rescue of an empty capsule | 0 |
| Exit the chemical spill via the spill access point and reacquire the line (this applies to Primary, Secondary and Open Rescue Line divisions) | 20 |

6.6.5 Points will be awarded only once for successful completion of an element of the course.

6.6.6 In ~~Primary Rescue, Secondary Rescue and Open Rescue~~, five points will be deducted from the score for each Lack of Progress, up to a maximum of 20 points deducted.

6.6.7 A ~~Secondary or Open Rescue~~ team that elects to end their scoring run before the round timer has run out will receive the maximum deduction of 20 Lack of Progress points.

For example, a Secondary Rescue Line team has received two Lack of Progress deductions (10 points in total) and has now elected to end their scoring run before the round timer has run out. The team will receive a maximum Lack of Progress deduction of 20 points.

6.6.8 No team can end a round with a negative score. A score of zero will be awarded in this case.

6.6.9 Teams who do not successfully complete all scorable elements of the course will receive the maximum time for the round.

6.7 Preliminary Rounds

6.7.1 A Scoring Run will be based on the sum of all points scored (see 6.6.4) minus penalties (6.6.6).

6.7.2 There may be multiple Preliminary Rounds, depending on the time constraints of the event.

The RCJA National Event will aim to hold a minimum of five Preliminary Rounds.

6.7.3 Each team will have one scoring run per round.

6.7.4 Officials at the event will determine the order and nature of how each round will be conducted. All teams will be briefed by the officials at the start of the event to be informed on how the Preliminary Rounds will be run.

6.7.5 After the Preliminary Rounds have been run, teams will be ranked according to their Cumulative Score. This will be calculated by the addition of the result of the Scoring Run from each round. In the event that scores are identical, the team with the lower total time will be ranked higher.



6.8 Finals

- 6.8.1 The first, second and third placed teams will be determined by the Head-to-Head Round.
- 6.8.2 There will (typically) be three teams in the Head-to-Head Round. The teams will be determined by selecting the top ranked teams from the Preliminary Rounds. It is permissible for the number of teams in the Head-to-Head Round to vary.
- 6.8.3 The finalists will rotate through and attempt each of the courses in the Head-to-Head Round. The team with the highest cumulative score from courses completed in the Head-to-Head Round will be judged the winner. Second and third placings are also determined through ranking this cumulative score. In the event that scores are identical, the team with the lower total time will be ranked higher.

6.9 Special Circumstances

- 6.9.1 Specific modifications to the rules to allow for special circumstances, such as unforeseen problems and/or capabilities of a team's robots, may be agreed to at the time of the tournament, provided a majority of the teams agree.

7 Conflict Resolution

In 2025 the General Rules have been introduced. This section of these Challenge Rules has been relocated to the General Rules to ensure consistency across all Challenges. Please ensure you read the General Rules, which can be downloaded from the [Rescue Line Challenge Page](#) on the RoboCup Junior Australia Website.

8 Code of Conduct

In 2025 the General Rules have been introduced. This section of these Challenge Rules has been relocated to the General Rules to ensure consistency across all Challenges. Please ensure you read the General Rules, which can be downloaded from the [Rescue Line Challenge Page](#) on the RoboCup Junior Australia Website.